



**HAVELLS**

Experience the Speed of light with

# INSTA hift

Reliable Transfer Switching Equipment



# ABOUT US

Havells India Limited a leading  
Fast-Moving Electrical Goods (FMEG) Company


---



**Over 6000 Professionals**

over 17000 dealers and 35 branches  
in the country & 15 state-of-the-art  
manufacturing plants in India


---



**Care 360**

first FMEG Company to offer door  
step service via its initiative

---



A hand holding a glowing lightbulb with gears and a network diagram overlaid on it. The background is a blurred industrial setting with warm lighting and floating particles.

# CONTENTS

InstaShift Manual Changeover Switches

4

InstaShift Motorized Changeover Switches

10

# MANUAL CHANGEOVER SWITCH

C



Designed to cater the need for  
a new beginning in electrical distribution

The **InstaShift** Manual Changeover Switches are manually operated four pole Changeover Switches, having ratings 40 A to 800 A in 4 different frame sizes. The main components of this changeover switch are proven technology devices, fulfilling all the requirements for LV distribution.



### Suitable for

Safe changeover, source inversion or switching ON-load between two low voltage power circuits as well as their safety isolation.

### Standards Conformity

IS / IEC 60947-3

IS / IEC 60947-6-1

### USPs

- 3 Stable Positions
- Staggered Terminals
- Load and Line Reversibility
- Neutral Pole Interchangeability
- IP 43 Enclosure available
- Direct Aluminium Cable Connection
- Easy wiring facilities for auxiliary switches
- 360° Mounting Orientation
- Voltage Sensing Kit for Automatic Transfer Switching Equipment

## Product Salient Features



### Safety

- Power Control and Safety between Primary and Secondary Source
- Fully Assembled and Tested Solution
- Quick Make – Quick Break
- Unaffected from typical Vibration and Shock
- Provision of Phase Separators, Source Separators and add-on Auxiliary Switches
- Door Interlock and Padlock Facility



### Termination

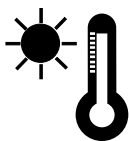
- Shorting links mounted on all ratings
- Compact in size
- Extended outgoing terminals
- Open Execution as well as in Enclosure



### Reliability

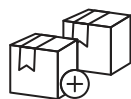
- Switches are designed to be virtually maintenance free across their entire extended lifespan and offer reliable performance in any and all possible circumstances.
- Durability has been ensured by testing switches against the IS / IEC 60947-3 standard at stringent utilization category.
- Minimal downtime with the possibility to perform easy maintenance.

## Environmental Conditions



- IP Rating
  - IP2X against direct contact from front.
  - IP32 in SS Enclosure versions.
  - IP43 available as an option on request.

- Operating Conditions
  - Temperature: + 50 °C without derating.
  - Hygrometry: 80% humidity at 55 °C, 95% humidity at 40 °C without condensation.
  - Altitude: - Up to 2000 m without de-rating.



### Modularity

- Manual Transfer Switching Equipment can be converted to RTSE/ATSE by adding motor module as an accessory

# Technical Characteristics

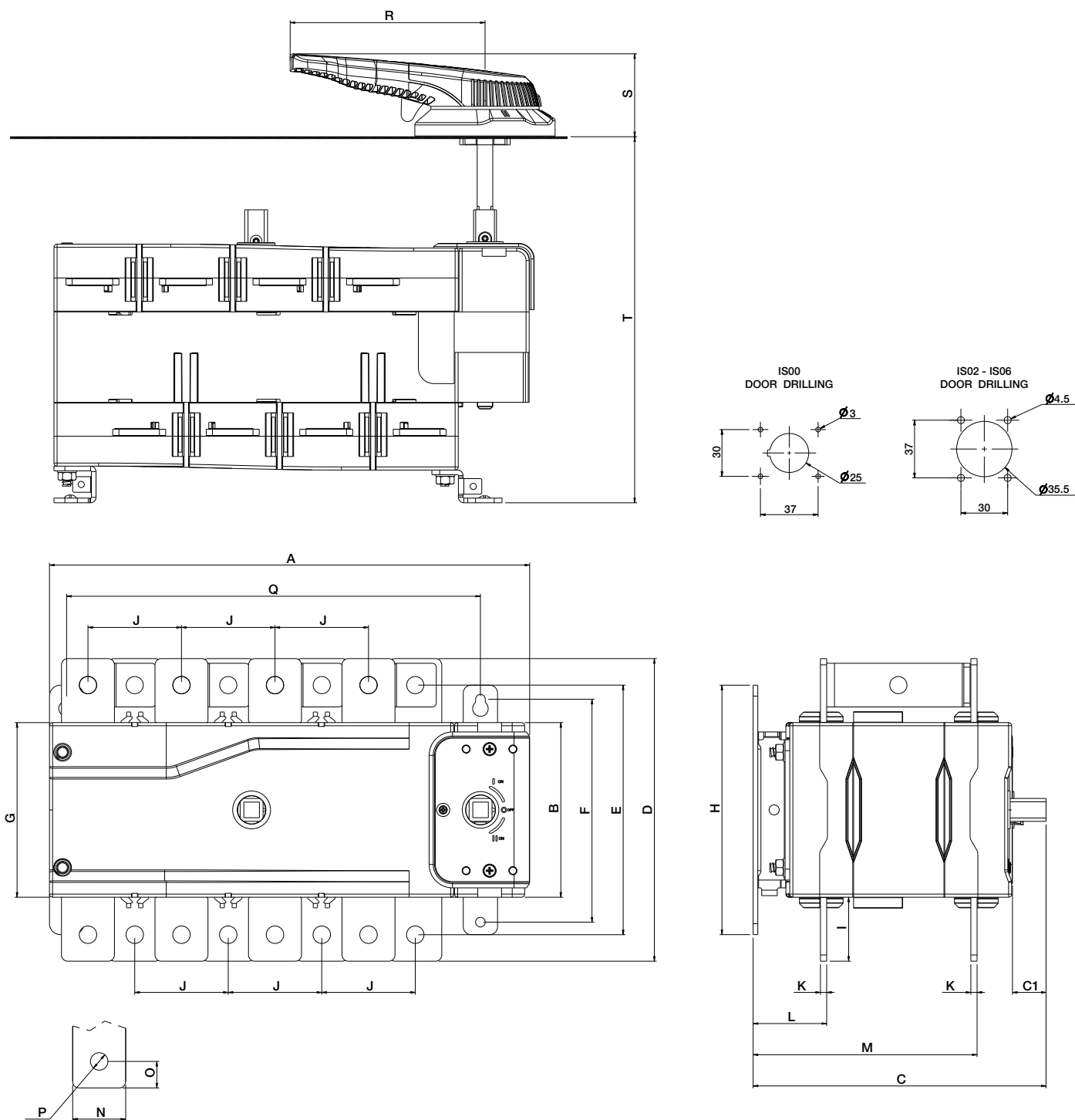


	Unit	
Rating	A	
Reference Standards		
No. of Poles		
No. of Breaks per pole		
<b>Electrical Characteristics</b>		
Rated Operational Voltage ( $U_e$ )	VAC	
Rated Insulation Voltage ( $U_i$ )	V	
Rated Impulse Withstand Voltage ( $U_{imp}$ )	kV	
Rated Frequency	Hz	
Pollution Degree		
Conventional thermal current ( $I_{th}$ ) at 50 °C	A	
Conventional enclosed thermal current ( $I_{the}$ ) at 50 °C	A	
<b>Rated Operational Current (<math>I_e</math>) according to IEC 60947-3</b>		
415 VAC, AC-21A/ AC-22A/ AC-23A	A	
415 VAC, AC-21A/ AC-22A	A	
Rated Breaking Capacity for AC-23A	A	
Rated Making Capacity for AC-23A	A	
Rated Breaking Capacity for AC-22A / AC-21A	A	
Rated Making Capacity for AC-22A / AC-21A	A	
Short-time withstand ( $I_{cw}$ ), 1s	kArms	
Short-circuit making capacity, $I_{cm}$	kApeak	
Mechanical Endurance	O-I-O-II-O cycle	
Electrical Endurance	O-I-O-II-O cycle	
Rated short-circuit current at 415 V, 50 Hz / 60 Hz	kArms	
<b>Termination</b>		
Termination		
Max. Al. cable with lug	mm <sup>2</sup>	
Max. link width	mm	
Max. link thickness	mm	
Termination tightening torque	Nm	
<b>Installation and connection - Fixed, front connection</b>		
Installation		
Wiring		
Weight	kg	
<b>As per IEC 60947-6-1</b>		
Class of Equipment		
Rated short time withstand current $I_{cw}$ (r.m.s) 415 V, 0.03 s	kArms	
Rated short time withstand current $I_{cw}$ (r.m.s) 415 V, 0.06 s	kArms	
Short-circuit making capacity ( $I_{cm}$ )	kApeak	
<b>Rated Operational current (<math>I_e</math>):</b>		
415VAC, AC-31B	A	
415VAC, AC-32B	A	
415VAC, AC-33B	A	

IS00					IS02					IS04			IS06			
IS00A					IS00C	IS02A				IS02C	IS04A		IS04C	IS06A		IS06C
40 A, 63 A, 80 A, 100 A					125 A	125 A, 160 A, 200 A				250 A	250 A, 315 A		400 A	400 A, 630 A		800 A
IS / IEC 60947-3, IEC 60947-3, IS/IEC 60947-6-1, IEC 60947-6-1																
FP																
2																
415 VAC																
1000 V																
6 kV					8 kV					12 kV			12 kV			
50 Hz / 60 Hz																
3					3					3			3			
40 A	63 A	80 A	100 A	125 A	125 A	160 A	200 A	250 A	250 A	315 A	400 A	400 A	630 A	800 A		
40 A	63 A	80 A	100 A	125 A	125 A	160 A	200 A	250 A	250 A	315 A	400 A	400 A	630 A	800 A		
40 A	63 A	80 A	100 A	-	125 A	160 A	200 A	-	250 A	315 A	-	400 A	630 A	-		
-	-	-	-	125 A	-	-	-	250 A	-	-	400 A	-	-	800 A		
320 A	504 A	640 A	800 A		1000 A	1280 A	1600 A		2000 A	2520 A		3200 A	5040 A			
400 A	630 A	800 A	1000 A		1250 A	1600 A	2000 A		2500 A	3150 A		4000 A	6300 A			
				375 A				750 A			1200 A			2400 A		
				375 A				750 A			1200 A			2400 A		
5 kArms					7 kArms					10 kArms			13 kArms			
8 kApeak					12 kApeak					22 kApeak			26 kApeak			
20000					16000					16000			10000			
3000					2000					2000			2000			
80					50					50			50			
Unmarked Terminals																
16	25	35	50	50	70	120	150	185	185	2x120	2x150	2x150	2x300	3x240		
16 mm		22 mm			30 mm			40 mm	40 mm		50 mm	50 mm		60 mm		
2 mm		4.7 mm			5 mm			8 mm	8 mm		2x8 mm	2x8 mm		2x10 mm		
3.7 Nm					10 Nm					20 Nm			27 Nm			
Mounting Bracket					Mounting Bracket					Mounting Bracket			Mounting Bracket			
Busbar / Cable					Busbar / Cable					Busbar / Cable			Busbar / Cable			
1.8					9					12			21.5			
PC																
5				-	10				10			-				
-				-	-				-			12.6				
7.7				-	17				17			25.2				
40	63	80	100	-	125	160	200	250	250	315	400	400	630	800		
-	-	-	-	-	-	-	-	-	250	315	400	400	500	630		
-	-	-	-	-	-	-	-	-	200	200	200	200	400	400		

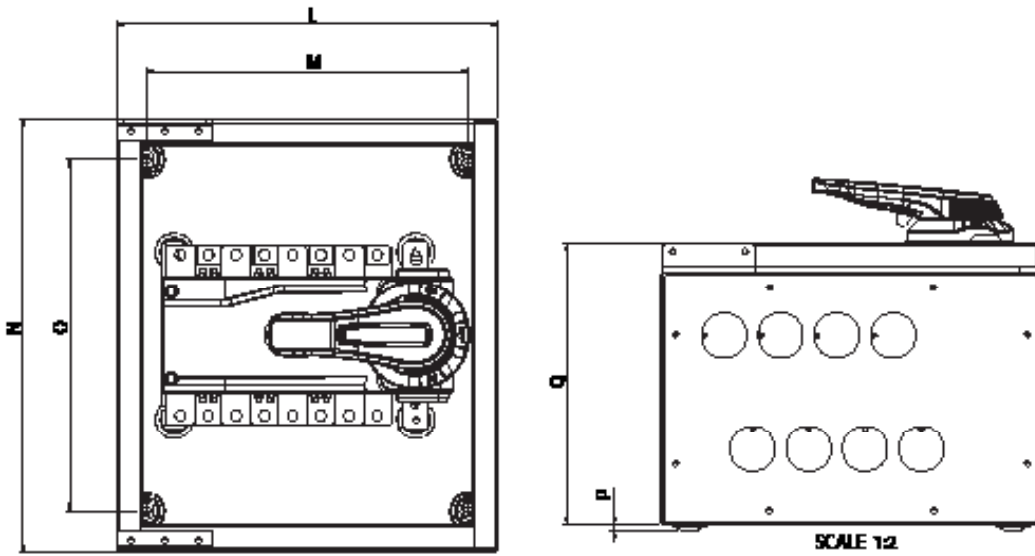
# Dimension

## Open Execution



Frame	Rating (A)	Overall Dimensions (in mm)																				
		A	B	C	C1	D	E	F	G	H	I	J	K	L	M	N	O	P	Q	R	S	T
IS00	40/63/80/100	153	74	142.5	20.6	117.9	98	95	74	110	20.4	27	2.5	32.6	103.8	13	8.4	6.5	125.6	50.5	38.9	174.2
	125 CD	153	74	142.5	20.6	117.9	98	95	74	110	20.4	27	2.5	32.6	103.8	13	8.4	6.5	125.6	50.5	38.9	174.2
IS02	125/160/200	248.2	112	188	21.6	160	137	143	100	160	27	48	3.2	47.2	142.9	22	8.5	8.5	205.9	125	53.2	234.8
	250 CD	248.2	112	188	21.6	160	137	143	100	160	27	48	4	47.2	142.9	25	8.5	8.5	205.9	125	53.2	234.8
IS04	250/315	308	112	188	21.6	194	160	143	112	160	41	60	4	47.2	143.7	34	17	11.2	265.5	125	53.2	234.8
	400 CD	308	112	188	21.6	213	179	143	112	160	51	66	4	47.2	143.7	40	17	11.2	265.5	125	53.2	234.8
IS06	400/630	338.2	112	235.2	21.6	260	230	190.9	160	220	50	70	6	60.7	184.4	44	15	12.5	294.3	153.9	55.3	319.8
	800 CD	338.2	112	235.2	21.6	260	230	190.9	160	220	50	70	8	61.7	185.4	44	15	12.5	294.3	153.9	55.3	319.8

## With Enclosure



Frame	L	M	N	O	P	Q
IS00	260	200	260	215	4.3	181
IS02	325	275	370	300	4.3	241
IS04	410	340	420	350	4.3	241
IS06	500	390	730	460	4.3	326

## Exploded View



# INSTA hift | MOTORIZED CHANGEOVER SWITCH



Designed to maximize customer's range of selection and level of satisfaction

# INSTAshift | MOTORIZED CHANGEOVER SWITCH

The **InstaShift** Motorized Changeover Switches are motor operated Four Pole Changeover Switches, having ratings 125 A to 800 A in 3 different frame sizes. The motorized design enables Precise Changeover and Smooth Operation.



## Suitable for

Safe changeover, source inversion or switching ON-load between two low voltage power circuits as well as their safety isolation.

## Standards Conformity

IS / IEC 60947-3

IS / IEC 60947-6-1

## USPs

- 3 Stable Positions
- Staggered Terminals
- Load and Line Reversibility
- Neutral Pole Interchangeability
- IP 43 Enclosure available
- Direct Aluminium Cable Connection
- Easy wiring facilities for auxiliary switches
- 360° Mounting Orientation
- Voltage Sensing Kit for Automatic Transfer Switching Equipment

## Exploded View

1. Changeover Switch
2. Motorized Unit
3. Dummy Cover
4. Emergency Handle



## Fascia Description



1. Power LED – Indicating the ON / OFF status of Motorized Changeover Switch.
2. Manual / Fault LED - Indicates the Manual Mode or Fault occurs.
3. Auto / Manual / Padlock Indication – For indicating the mode of operation.
4. Auto / Manual / Padlock Knob – Visual Indication of Mode of Operation.
5. Padlock Lever
6. Emergency / Manual Handle
7. Position Window

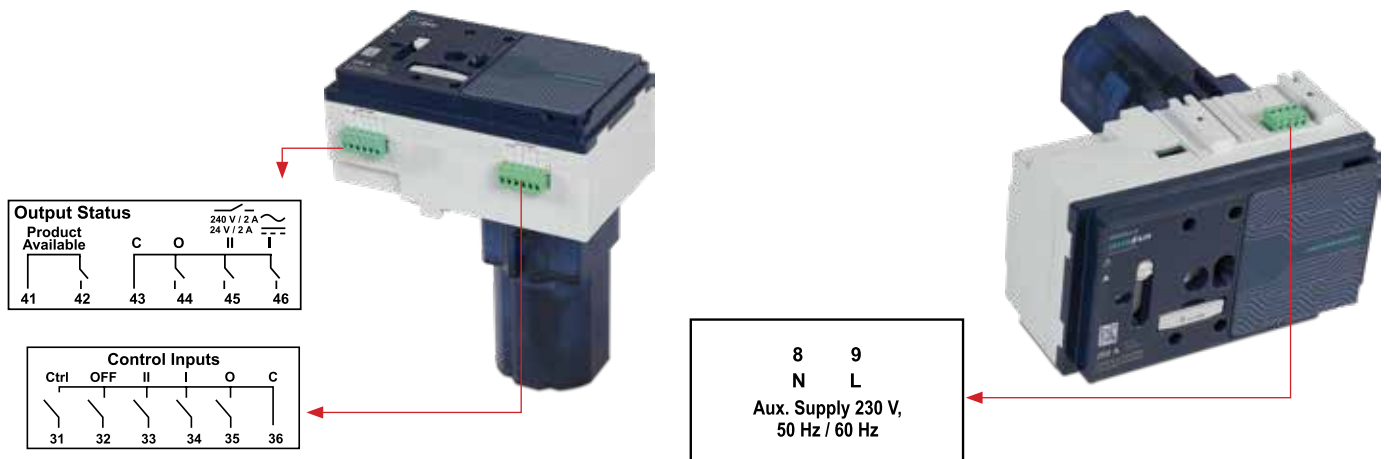
# Technical Characteristics



	Unit	
Rating	A	
Reference Standards		
No. of Poles		
No. of Breaks per pole		
<b>Electrical Characteristics</b>		
Rated Operational Voltage ( $U_e$ )	VAC	
Rated Insulation Voltage ( $U_i$ ) (Power Circuit)	V	
Rated Insulation Voltage ( $U_i$ ) (Control Circuit)	V	
Rated Impulse Withstand Voltage ( $U_{imp}$ ) (Power Circuit)	kV	
Rated Impulse Withstand Voltage ( $U_{imp}$ ) (Control Circuit)	kV	
Rated Frequency	Hz	
Pollution Degree		
<b>Data according to IEC 60947-3, IS / IEC 60947-3</b>		
Conventional thermal current ( $I_{th}$ ) at 50 °C	A	
Conventional enclosed thermal current ( $I_{the}$ ) at 50 °C	A	
<b>Rated Operational Current (<math>I_e</math>)</b>		
415 VAC, AC-21A/ AC-22A / AC-23A	A	
415 VAC, AC-21A/ AC-22A	A	
Rated Breaking Capacity for AC-23A	A	
Rated Making Capacity for AC-23A	A	
Rated Breaking Capacity for AC-22A / AC-21A		
Rated Making Capacity for AC-22A / AC-21A		
Short-time withstand ( $I_{cw}$ ), 1s	kArms	
Short-circuit making capacity, $I_{cm}$	kApeak	
Rated short-circuit current at 415 V, 50 Hz / 60 Hz	kArms	
Mechanical Endurance	O-I-O-II-O cycle	
Electrical Endurance		
<b>Termination</b>		
Max. Al. cable with lug	mm <sup>2</sup>	
Max. link width	mm	
Max. link thickness	mm	
Termination tightening torque	Nm	
Weight	kg	
<b>Data as per IS/IEC60947-6-1, IEC 60947-6-1</b>		
Conventional thermal current ( $I_{th}$ ) at 50 °C	A	
Conventional enclosed thermal current ( $I_{the}$ ) at 50 °C	A	
Rated Operational current ( $I_e$ ):		
415 VAC, AC-31B	A	
415 VAC, AC-32B	A	
415 VAC, AC-33B	A	
Short-time withstand ( $I_{cw}$ ) for 30 ms	kArms	
Short-time withstand ( $I_{cw}$ ) for 60 ms	kArms	
Short-circuit making capacity ( $I_{cm}$ )	kApeak	
<b>Switching time (rated voltage, after receiving command)</b>		
Time of transfer I-II or II-I	s	
I-O or II-O	s	
Time of contact transfer (black-out I-II) minimum	s	
<b>Power supply</b>		
Min./max. power	VAC	
<b>Control supply power demand</b>		
Demand/rated power	VA	

IS02				IS04				IS06					
IS02A		IS02C		IS04A		IS04C		IS06A		IS06C			
125 A, 160 A, 200 A		250 A		250 A, 315 A		400 A		400 A, 630 A		800 A			
IS / IEC 60947-3, IS/IEC 60947-6-1													
FP													
2													
415 VAC													
1000 V													
300 V													
8 kV				12 kV				12 kV					
4 kV													
50 Hz / 60 Hz													
3													
125 A 160 A 200 A 250 A 250 A 315 A 400 A 400 A 630 A 800 A													
125 A 160 A 200 A 250 A 250 A 315 A 400 A 400 A 630 A 800 A													
125 A 160 A 200 A 250 A 250 A 315 A 400 A 630 A 800 A													
1000 A 1280 A 1600 A 2000 A 2520 A 3200 A 5040 A													
1250 A 1600 A 2000 A 2500 A 3150 A 4000 A 6300 A													
750 A 1200 A 2400 A													
750 A 1200 A 2400 A													
7 kArms				10 kArms				13 kArms					
12 kApeak				22 kApeak				26 kApeak					
50 kArms				50 kArms									
16000				16000				10000					
2000				2000				2000					
Unmarked Terminals													
70	120		150	185		185	2x120		2x150		2x150	2x300	3x240
30 mm			40 mm		40 mm		50 mm		50 mm		60 mm		
5 mm			8 mm		8 mm		2x8 mm		2x8 mm		2x10 mm		
10 Nm				20 Nm				27 Nm					
9 kg				12 kg				21.5 kg					
125 A 160 A 200 A 250 A 250 A 315 A 400 A 400 A 630 A 800 A													
125 A 160 A 200 A 250 A 250 A 315 A 400 A 400 A 630 A 800 A													
125 A 160 A 200 A 250 A 250 A 315 A 400 A 400 A 630 A 800 A													
- - - - 250 A 315 A 400 A 400 A 500 A 630 A													
200 A 200 A 200 A 200 A 400 A													
10 kArms				10 kArms				-					
-				-				12.6 kArms					
17 kApeak				17 kApeak				25.2 kApeak					
0.8 s													
0.9 s													
0.5 s													
0.3 s													
0.4 s													
166 VAC / 332 VAC													
276 VA / 138 VA				230 VA / 105 VA				253 VA / 115 VA					

# Connectors Description



## Control Inputs

### [Pin 31: Remote Mode]

The remote mode is active when Pin 31 (Ctrl) is closed with pin 36 (C). Only when pin 31 is closed with 36 other inputs 33, 34 and 35 are activated.

**NOTE: Pin 32 (OFF)** is an exception and its activation state doesn't depend on the state of 31. Even if 31 is not closed with 36, pin 32 will remain active.

Action on pin 32 is having priority over actions on other input pins.

### [Pin 32: OFF Mode]

The OFF pin (32) when closed with pin 36 transfers the switch to position 0. In more accurate words, it forces the switch to go to OFF position (0 position).

Pin 32 is having priority input over all other pins inputs and commands. No other inputs will work till 32-36 remains closed. Impulse duration to activate command is 60ms minimum.

### [Pin 33: Position II Command]

Pin 33 closed with pin 36 transfers the switch to position II. This input works when 31-36 is also closed. Impulse duration to activate command is 60ms minimum. This input is a RTSE functionality.

### [Pin 34: Position I Command]

Pin 34 closed with pin 36 transfers the switch to position I. This input works when 31-36 is also closed. Impulse duration to activate command is 60 ms minimum. This input is a RTSE functionality.

### [Pin 35: Position 0 Command]

Pin 35 closed with pin 36 transfers the switch to position 0. This input works when 31-36 is also closed. Impulse duration to activate command is 60ms minimum. This input is a RTSE functionality.

For contactor logic, keep pins 35-36 closed.

In maintained mode when an order is sent it will be maintained until a different order is sent.

## Output Status

### [Pin 41|42: Product available output]

**Pin 41|42** is a normally open contact which remains closed when the product is available to operate.

This contact gives the feedback about the product availability and its capacity to be operated remotely or automatically.

**[Pin 43: Common]** Common pin to be used with pin 44, 45, 46

**[Pin 44: Position 0 Status]** Pin 44 closed with pin 43 shows the Position 0 of the RTSE. This signal can be used for LED/buzzer etc.

**[Pin 45: Position II Status]** Pin 45 closed with pin 43 shows the Position II of the RTSE. This signal can be used for LED/buzzer etc.

**[Pin 46: Position I Status]** Pin 46 closed with pin 43 shows the Position I of the RTSE. This signal can be used for LED/buzzer etc.

## Power Connector

**InstaShift RTSE** is to be powered between terminals 8 and 9 with a supply within the limits of:

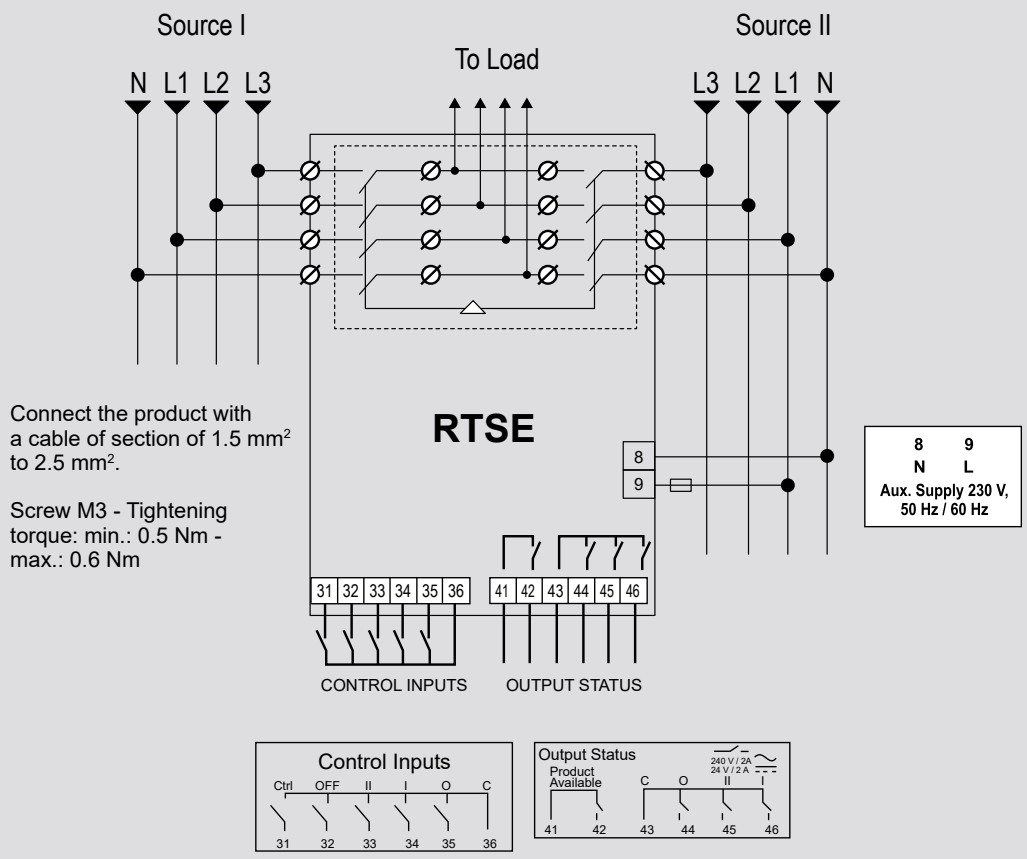
208 Vac – 277 Vac ± 20% (166 Vac – 332 Vac) 50 Hz / 60 Hz ±10%

# Auto / Manual / Padlock Knob

There are three different Modes of Operation of Switch; Manual Mode, Automatic Mode and Padlock Mode. This knob is to provide visual indication for different Modes of Operation of Changeover Switch.

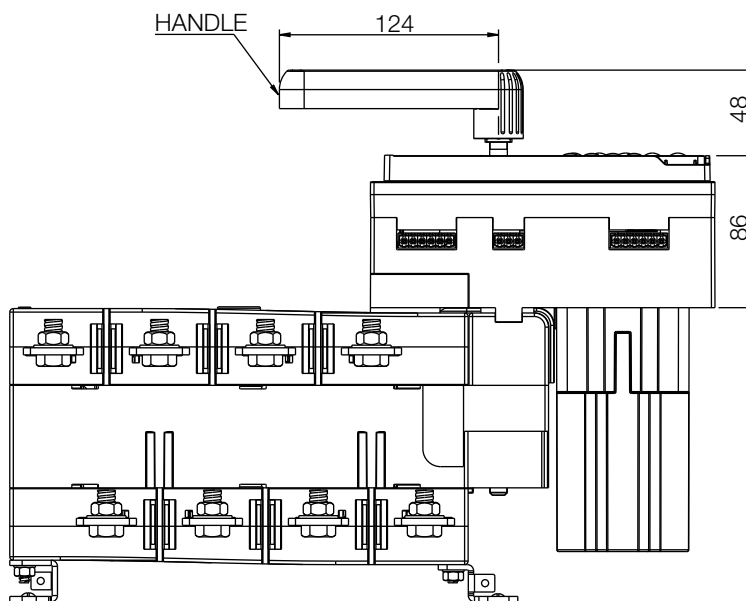
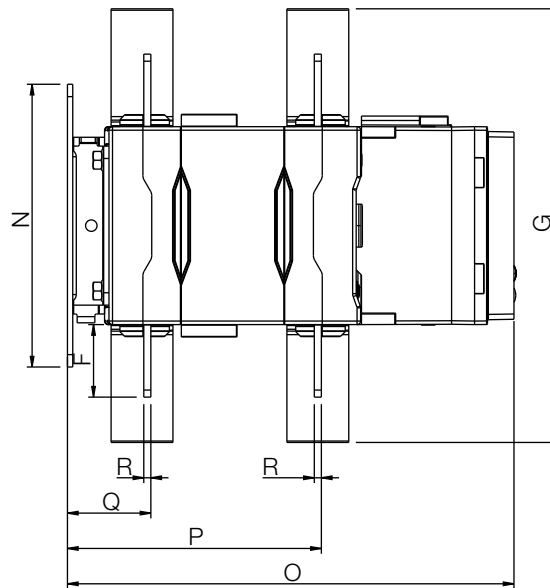
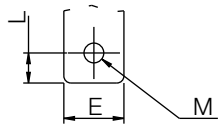
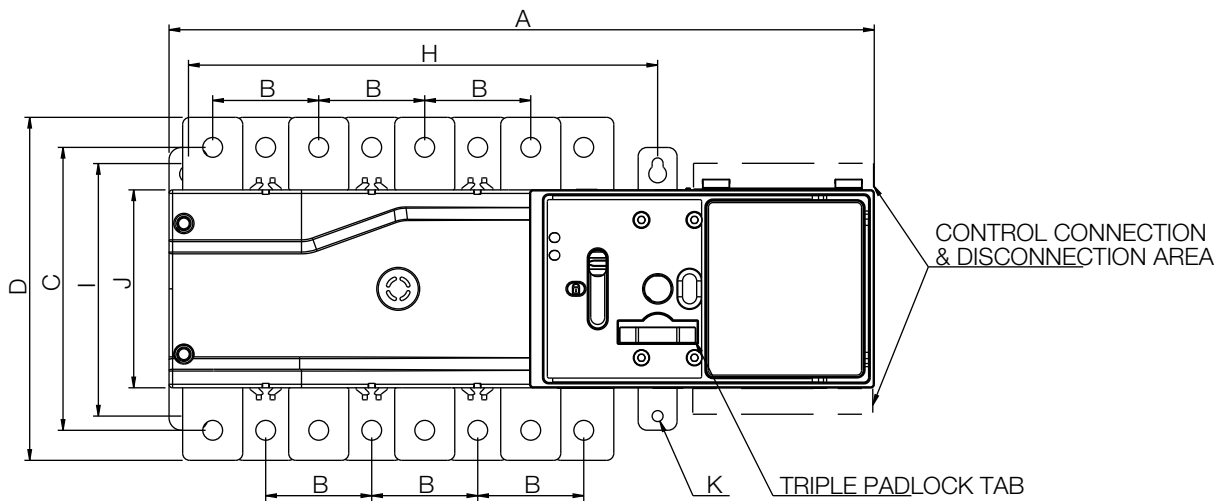


# Wiring Diagram

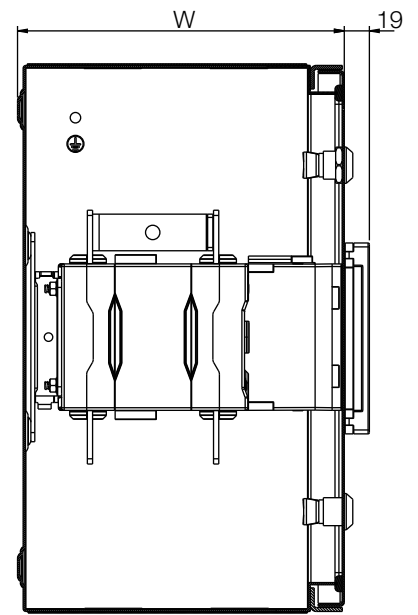
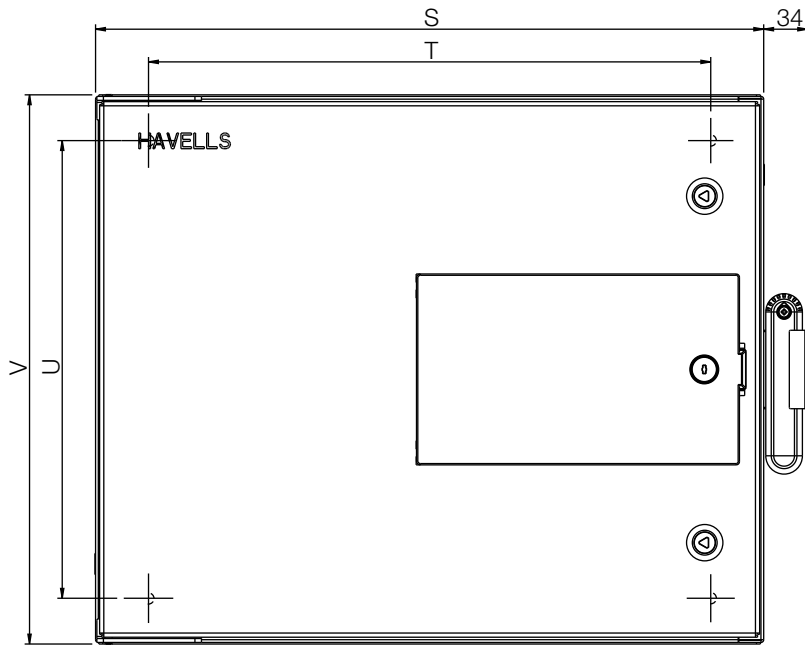


# Dimension

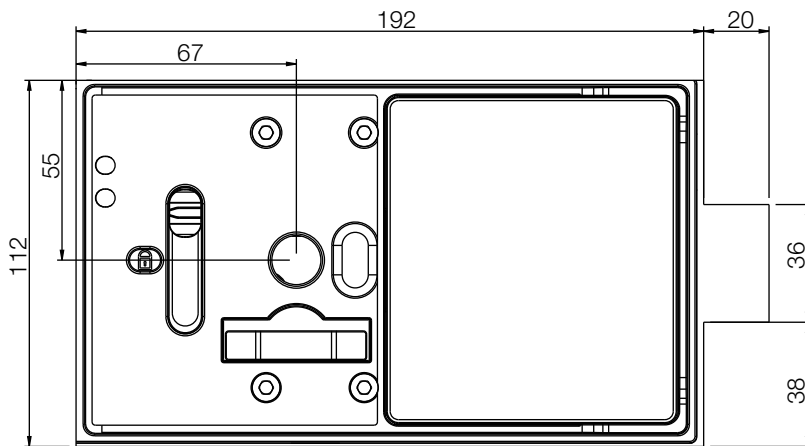
## Open Execution



# With Enclosure



## DOOR CUTOUT



Frame	Rating (A)	Overall Dimensions																						
		A	B	C	D	E	F	G	H	I	J	K	L	M	N	O	P	Q	R	S	T	U	V	W
IS02	125	339	48	137	154	22	27	347	205.9	143	100	6.2	8.5	8.5	158	253	143	47	3.2	435	375	300	370	250
	160	339	48	137	154	22	27	347	205.9	143	100	6.2	8.5	8.5	158	253	143	47	3.2	435	375	300	370	250
	200	339	48	137	154	22	27	347	205.9	143	100	6.2	8.5	8.5	159	253	143	47	3.2	435	375	300	370	250
	250 CD	339	48	137	154	22	27	347	205.9	143	100	6.2	8.5	8.5	160	253	143	47	4	435	375	300	370	250
IS04	250	399	60	160	194	34	41	245	265.5	143	112	6.2	17	11.2	160	253	144	47	4	511	430	350	420	250
	315	399	60	160	194	34	41	245	265.5	143	112	6.2	17	11.2	160	253	144	47	4	511	430	350	420	250
	400 CD	405	66	179	213	40	50	285	265.5	143	112	6.2	17	11.2	160	253	144	47	4	511	430	350	420	250
IS06	400	429	70	230	260	44	50	407	294.3	190.9	160	8.2	15	12.5	220	300	184	61	6	565	472	460	730	298
	630	429	70	230	260	44	50	407	294.3	190.9	160	8.2	15	12.5	220	300	184	61	6	565	472	460	730	298
	800 CD	429	80	250	295	50	50	407	294.3	190.9	160	8.2	22.5	12.5	220	300	185.4	61.7	8	565	472	460	730	298

# Ordering Code - Manual Changeover Switch



Open Execution		
Frame	Rating (A)	Catalogue Code
IS00	40	IHCCF00040
	63	IHCCF00063
	100	IHCCF00100
	125*	IHCPF00125
IS02	125	IHCCF00125
	160	IHCCF00160
	200	IHCCF00200
	250*	IHCPF00250
IS04	250	IHCCF00250
	315	IHCCF00315
IS06	400*	IHCPF00400
	400	IHCCF00400
	630	IHCCF00630
	800*	IHCPF00800



SS Enclosure Version		
Frame	Rating (A)	Catalogue Code
IS00	40	IHCCFE00040
	63	IHCCFE00063
	100	IHCCFE0100
	125*	IHCPFE0125
IS02	125	IHCCFE0125
	160	IHCCFE0160
	200	IHCCFE0200
	250*	IHCPFE0250
IS04	250	IHCCFE0250
	315	IHCCFE0315
IS06	400*	IHCPFE0400
	400	IHCCFE0400
	630	IHCCFE0630
	800*	IHCPFE0800

\*Compact Design

# Ordering Code - Motorised Changeover Switch



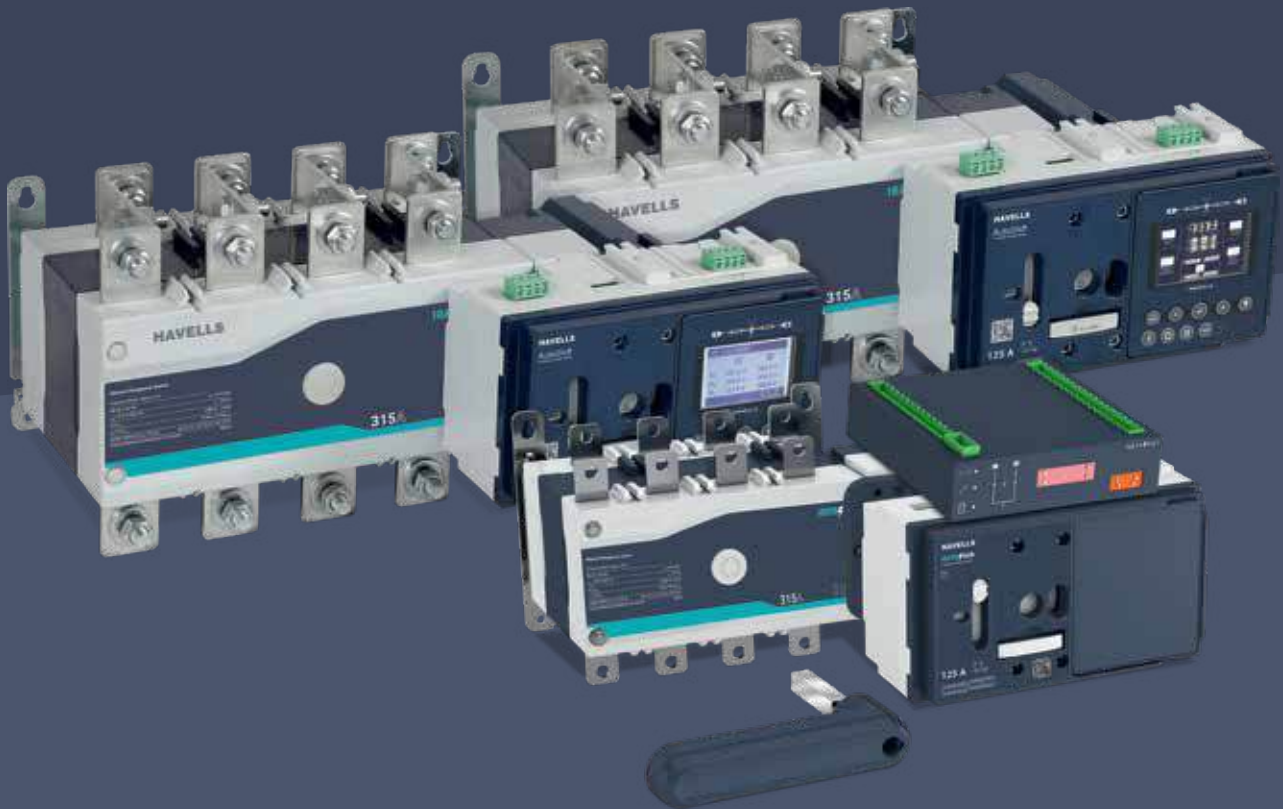
Open Execution		
Frame	Rating (A)	Catalogue Code
IS02	125	IHLFNA0125
	160	IHLFNA0160
	200	IHLFNA0200
	250*	IHLFNA025D
IS04	250	IHLFNA0250
	315	IHLFNA0315
IS06	400*	IHLFNA040D
	400	IHLFNA0400
	630	IHLFNA0630
	800*	IHLFNA080D



SS Enclosure Version		
Frame	Rating (A)	Catalogue Code
IS02	125	IHLFNAE125
	160	IHLFNAE160
	200	IHLFNAE200
	250*	IHLFNAE25D
IS04	250	IHLFNAE250
	315	IHLFNAE315
IS06	400*	IHLFNAE40D
	400	IHLFNAE400
	630	IHLFNAE630
	800*	IHLFNAE80D

\*Compact Design

# INSTAshift | AUTOMATIC TRANSFER SWITCH



Designed for safe changeover, source inversion or switching ON-load between two low voltage power circuits as well as their safety isolation

# INSTAshift | AUTOMATIC TRANSFER SWITCH

Today the needs are increasing for a reliable and independent power changeover system during power failures. In such event, the stand-by power is expected to take over automatically which is achieved efficiently by Automatic Transfer Switch. The InstaShift Automatic Changeover Switches enable Precise Changeover and Smooth Operation through motor operated mechanism. Range comprises of 125 A to 800 A Four Pole Changeover Switches in 3 different frame sizes.



- Available with 3 different controllers - B Type, M Type, H Type
- Provision For Unit / Door Mountable HMI Kit

## Standards Conformity

IS / IEC 60947-3

IS / IEC 60947-6-1

## Exploded View - B Type



1. Changeover Switch
2. Motorized Unit
3. Display Module B Type
4. Emergency Handle

### Salient Features (B Type):

- Allows Mode of Operations like Auto, Remote and Manual
- Offers Protection by Switching in case of :
  - Phase Missing
  - Voltage unbalance
- Allows Setting for :
  - Under and Over Voltage
  - Under and Over Frequency

### Salient Features (M Type):

- Offers LCD Display
- Allows Password Protection
- Gives Alarm for Key Protection Parameters
- Offers measurement of Line & phase voltage and Frequency

## Exploded View - M Type



1. Changeover Switch
2. Motorized Unit
3. Display Module M Type
4. Emergency Handle

# Exploded View - H Type

Salient Features:

- Remote connectivity enabling monitoring and controlling
- Feasibility of remote configuration through Cloud
- Wi-Fi connectivity
- Wired ETHERNET for achieving real-time monitoring and display of energy parameters
- Data logger showing event history
- Multiple ports for communication with genset control module: RS485, RS232
- Parameters adjust function: users can adjust parameters via USB port



# Accessories - MTSE

## Castell Lock



Code	Item Description
ISSCNX0218	Castell Lock Frame IS00
ISSCNX0217	Castell Lock Frame IS02 / IS04 / IS06

## Auxiliary Switch



Code	Item Description
ISCELQOX0074	Auxiliary Switch Assembly 2NO 2NC Frame IS00
ISCELQOX0076	Auxiliary Switch Assembly 2NO 2NC Frame IS02, IS04 & IS06

## Direct Handle Conversion Kit



Code	Item Description
ISSCNX0235	Direct Handle IS00
ISSCNX0221	Direct Handle IS02-IS04-IS06

## Enclosure for MTSE (with IP 43)\*



Code	Item Description
ISSCNX0192	Enclosure Frame IS00
ISSCNX0191	Enclosure Frame IS02
ISSCNX0190	Enclosure Frame IS04
ISSCNX0189	Enclosure Frame IS06

\*Available on request

# Accessories - RTSE

## MTSE to RTSE Conversion Kit



Code	Item Description
ISSCNX0211	MOTOR MODULE 125A-400A CD
ISSCNX0212	MOTOR MODULE 400A-800 A CD

## Enclosure for RTSE (with IP 32)



Code	Item Description
ISSCNX0204	Enclosure Frame IS02
ISSCNX0205	Enclosure Frame IS04
ISSCNX0206	Enclosure Frame IS06

## Enclosure for RTSE (with IP 43)\*



Code	Item Description
ISSCNX0256	Enclosure Frame IS02
ISSCNX0257	Enclosure Frame IS04
ISSCNX0258	Enclosure Frame IS06

\*Available on request

## Other Products



### REGIONAL & BRANCH OFFICES:

**NORTH - REGIONAL OFFICE:** Corporate Office: QRG Towers, 2D, Sector-126, Expressway, Noida-201304, Tel: 0120-3331000, Delhi: 011-47676700, 23888200, Chandigarh: 0172-4232400-401, Dehradun: 0135-6670202, Haldwani: 05946-222935/222933, Noida / Haryana: 0120-3331000, Ludhiana: 0161-4676000/24, Amritsar: 0183-5202400/401, Jammu: 0191-2478330, 2479330, Sri Nagar: 0194-2459248, Jaipur: 0141-4211000, 4211011, Jodhpur: 9214201640/41, Lucknow: 0522- 4921600/4921649, Kanpur: 0512-6710400

**EAST - REGIONAL OFFICE:** Kolkata: ICC Tower, 5th Floor, 4 India Exchange Place, Kolkata-700001, Tel: 033-40129851/52, Bhubaneshwar: 0674-6668101/102/103/104, Guwahati: 0361-2458923, 2134521, Siliguri: 0353-2525907, Ranchi: 0651-2244861, 2244862, 2244864, 2244868, 2244869, Jamshedpur: 0657-6542492, 09234369436, Patna: 0612-2207221, 2207222, 2207223, 2655518

**WEST - REGIONAL OFFICE:** 1271, Solitaire Corporate Park, Bldg. No. 12, 7th Floor, Andheri - Ghatkopar Link Road, Chakala, Andheri (East), Mumbai- 400093. Tel: 022 - 67298600-602, Ahmedabad: 079-40061111, 40060738/740, Indore: 0731-4219444/4219422, 0731-2572340, Rajkot: 0281-2481112, 2921212, Nagpur: 0712-2240932, 2242692, 2242699 Pune: 020-26056175-76, Raipur: 0771-4243400/01, Surat: 0261-2350137, 9979890137, Jabalpur: 0761-4064491, Bhopal: 0755-4271544, 0755-4011025,

**SOUTH - REGIONAL OFFICE:** Chennai: Sigapi Achi Building, No. 18 / 3, 6th Floor, Rukmani Lakshmiipathy Road, Egmore, Chennai-600008, Tel: 044-42280600, 605, Bangalore: 080-49075000, Coimbatore: 0422-4550200/282, Hyderabad: 040-27533372, 27533355, 27533632, Cochin: 0484-4099000, Calicut: 0495-4019193/4/5, Trivandrum: 0471-4015323, Vizag: 0891-6514339, Vijayawada: 0866-2546161/62/67/68/69, Madurai: 0452-4267000, Hubli: 0836-4248660, Trichy: 0431-4041005/06

Representative Offices: • Goa • Solapur • Gwalior • Kathmandu • Bhopal • Kolapur • Vadodara

#### Warranty Policy:

All the products listed in the price list carry a warranty, against manufacturing defects for a period of 18\* months from the date of purchase / 12 months from the date of commissioning, whichever is earlier.

\*Proof of purchase to be retained to avail warranty.

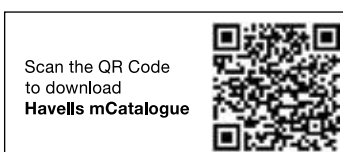
#### Terms & Conditions

- Prices are in Indian ₹.
- This Price List supersedes all our previous Price Lists.
- Prices are subject to change without notice.
- Company reserves the right to issue amendments, which may arise due to any errors in the price list.

Actual products may vary in colour, design, description and colour combination etc. Although every effort has been made to ensure accuracy in the compilation of the technical detail within this publication. Specifications & performance data are constantly changing.

"Copyright Subsists. Imitation of trade dress, graphics and color scheme of this document is a punishable offence."

Note: All Products to be billed at 18% \*GST (Subject to change as per Govt. Notification).



Scan the QR Code  
to download  
Havells mCatalogue

### Havells India Ltd.

Corp Office: QRG Towers, 2D, Sector-126, Expressway, Noida-201304 (U.P.)

Ph. +91-120-3331000, Email: marketing@havells.com, www.havells.com

Customer Care No.: 08045 77 1313

Join us on Facebook at [www.facebook.com/havells](http://www.facebook.com/havells) and share your ways to save planet!

CIN - L31900DL1983PLC016304



# HAVELLS