



**HAVELLS**



# Havells Sunlit Glow

PLANET FRIENDLY SOLAR LIGHT



HOME ART LIGHTS

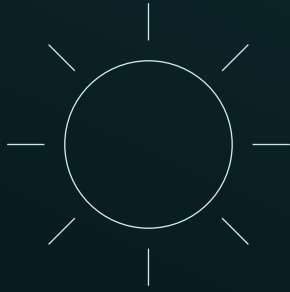
BRIGHTER, SUSTAINABLE FUTURE





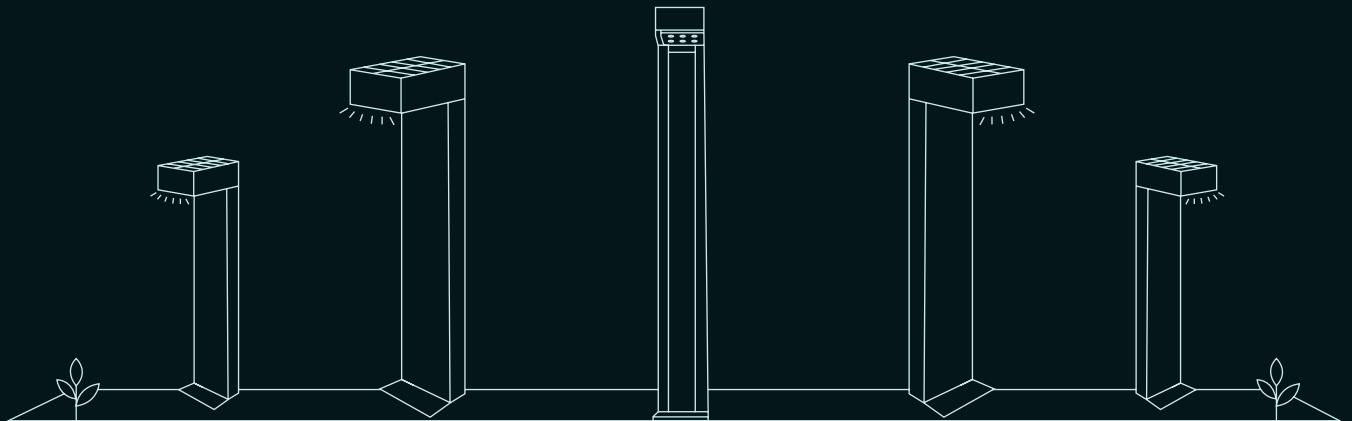
HAVELLS SUNLIT GLOW IS THE PERFECT  
CHOICE WHEN IT COMES TO LIGHTING UP YOUR WORLD  
IN THE MOST PLANET FRIENDLY WAY.

IT'S TECHNOLOGICALLY ADVANCED,  
EASY TO INSTALL AND IS FAR MORE ENERGY  
EFFICIENT THAN CONVENTIONAL LIGHTS.  
IT'S ALSO THE MOST RELIABLE AND SUSTAINABLE  
FORM OF LIGHTING.



# Why Solar?

PRESENTING, THE SUNLIT GLOW RANGE - WHERE  
STYLE AND SUSTAINABILITY COME TOGETHER.  
BRIGHTEN UP YOUR SPACES WITH OUR RANGE OF  
SOLAR LIGHTS THAT NOT ONLY TASTEFULLY  
ILLUMINATE YOUR SURROUNDINGS, BUT ALSO EMBODY  
OUR COMMITMENT TO GIVING BACK TO NATURE.  
HARNESSING THE POWER OF THE SUN, EACH LIGHT IN  
THIS COLLECTION REFLECTS OUR COMMITMENT TO  
FINDING GREEN SOLUTIONS. LET'S TAKE A STEP  
TOWARDS A CLEANER, GREENER FUTURE.



# Monocrystalline Solar Panel

---

HIGHER EFFICIENCY: IT CAN CONVERT MORE SUNLIGHT INTO ELECTRICITY.  
ABSORB MORE SOLAR ENERGY - APPROX 21% CONVERSION RATE VS 17.5%  
IN POLYCRYSTALLINE PANELS.

LONGEVITY: TEND TO HAVE LONGER LIFESPAN

# PIR Motion Sensor\*

---

PIR SENSOR MAXIMIZES ENERGY EFFICIENCY BY ACTIVATING LIGHTS ONLY  
WHEN MOTION IS DETECTED. ENERGY CONSERVATION : PIR SENSOR ALLOW  
SOLAR LIGHTS TO REMAIN IN A LOW-POWER OR IN STANDBY MODE UNTIL  
MOTION IS DETECTED, THUS SAVING ENERGY AND PROLONGED BATTERY  
LIFE. ENHANCED SECURITY : THEY AUTOMATICALLY TURN ON WHEN  
MOTION IS DETECTED, DETERRING POTENTIAL INTRUDERS, AND PROVIDING  
IMPROVED VISIBILITY IN THE AREA.



ENERGY EFFICIENCY - CONVERT MORE SUNLIGHT INTO ELECTRICITY.  
ENVIRONMENTALLY FRIENDLY - PRODUCES MINIMAL ENVIRONMENTAL  
IMPACT, REDUCING GREENHOUSE EMISSION. ENERGY SAVING -OFFER  
LONG-TERM COST SAVINGS DUE TO NO ENERGY BILLS.

\*PIR Motion Sensor is available in selected models



# Contents

---

## **SOLAR PATHWAY LIGHTS.....08-17**

Sunbeam Pathfinder SB.....10-11

Sunbeam Pathfinder RB.....12-13

Sunbeam Glow Portable Light.....14-15

Sunbeam Glow Gate Light.....16-17

## **SOLAR WALL LIGHTS.....18-31**

Solar Flare Wall Light.....20-21

Solar Zen Wall Light 0.7 W.....22-23

Solar Zen Wall Light 4.5 W.....24-25

Solar Nova Wall Light.....26-27

Solar Glow Wall Light.....28-29

StarLight Wall Light.....30-31

## **SOLAR WALL WASHERS.....32-41**

Radiant Rays Wall Washer Black.....34-35

Radiant Rays Wall Washer White.....36-37

Radiant Rays Wall Washer Up-Down.....38-39

Radiant Rays Wall Washer Down.....40-41

## **SOLAR TABLE LAMPS.....42-47**

OptiSaver Table Lamp Black.....44-45

OptiSaver Table Lamp Cyan.....46-47





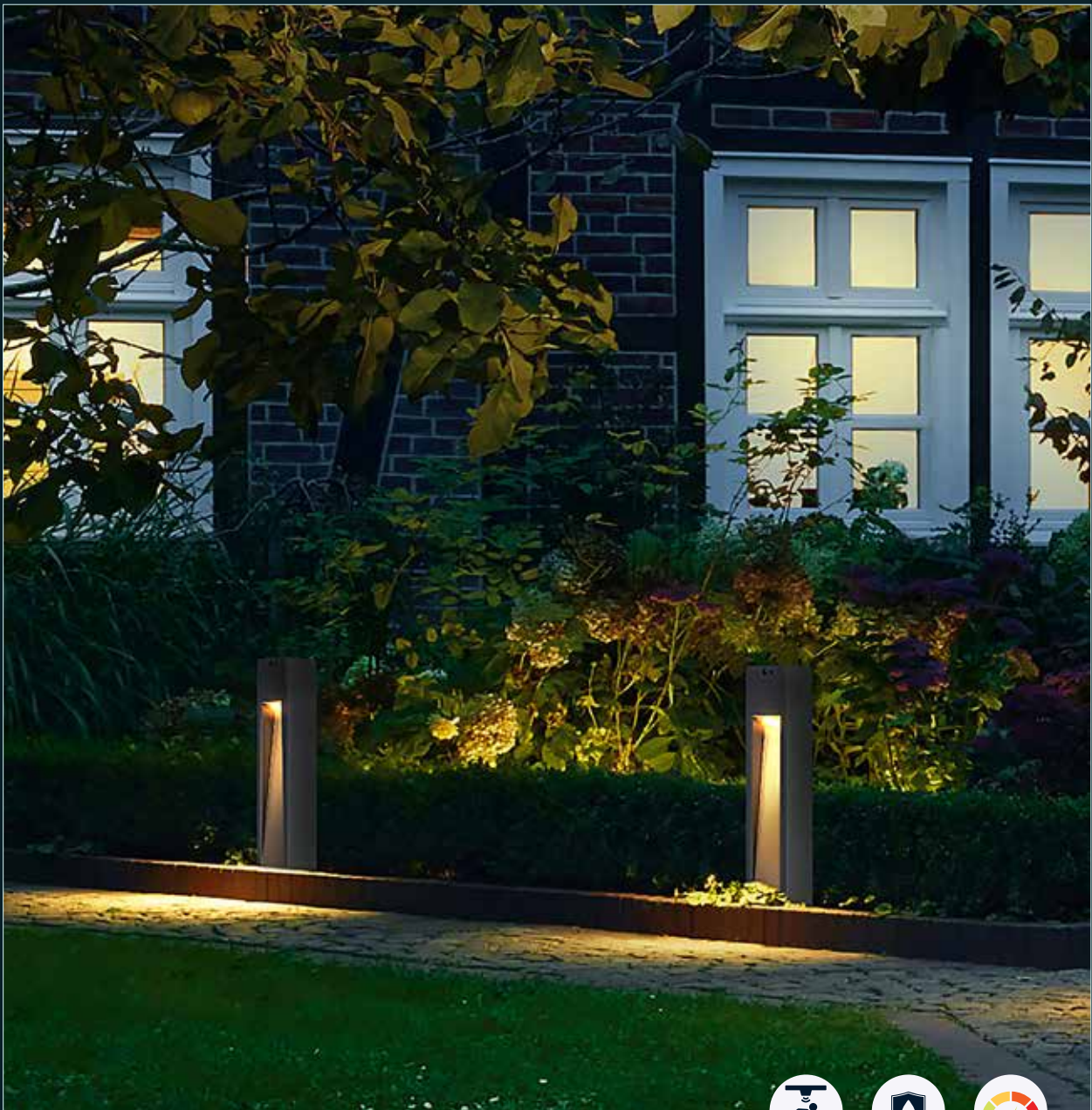
# Pathway Lights

TAKE A STEP INTO AN ENCHANTING OUTDOOR AMBIANCE, LIT UP BY THE SUNBEAM PATHFINDER BOLLARD. A GARDEN PATHWAY LIGHT THAT EFFORTLESSLY BLENDS BEAUTY WITH FUNCTIONALITY. THIS LIGHT DRAWS POWER FROM THE RADIANCE OF THE SUN ENABLED BY A CUTTING-EDGE MONOCRYSTALLINE SOLAR PANEL POSITIONED AT THE HEAD.

THIS LIGHT IS ALSO EQUIPPED WITH A MOTION-DETECTING PIR MOTION SENSOR\*, THAT ENSURES THAT YOUR PATH AHEAD IS ALWAYS WELL-LIT, MAKING IT SAFER TO TRAVERSE.

The modern garden pathway light is a beautiful solar lamp that can be used wirelessly anywhere outdoors. The garden path light gets its energy from the solar panel at the head of the fixture.

The integrated LEDs shines and reliably illuminate the path. Thanks to the PIR sensor, light is always available when a person approaches the luminaire. In this way, dark paths can be illuminated effectively and safely.



PIR Sensor\*



IP54

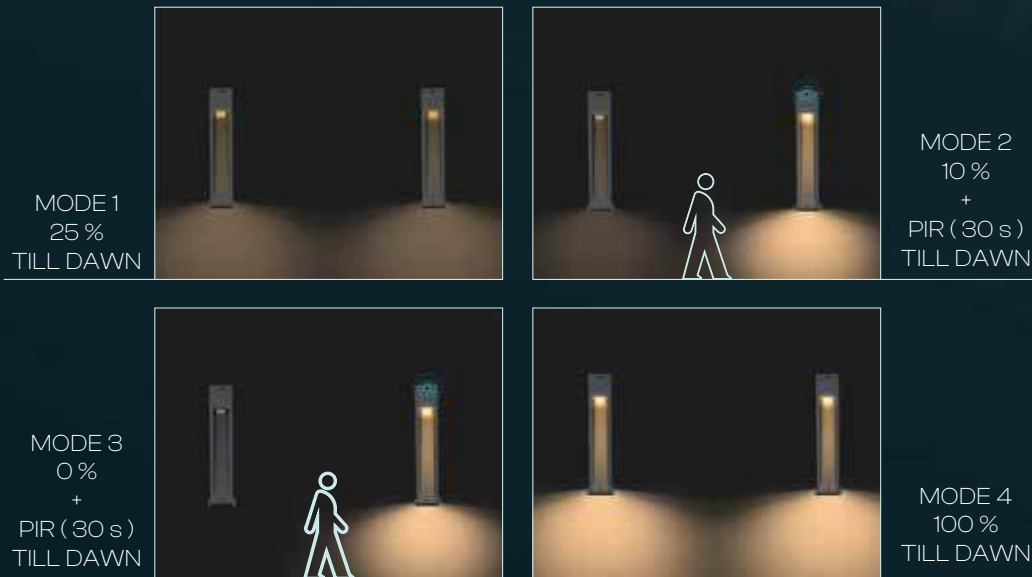


4000 K

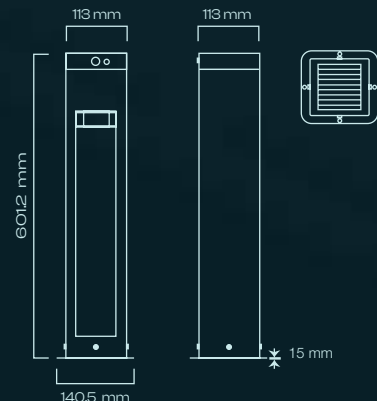
# Sunbeam Pathfinder S B



Product Description	: LED SUNBEAM PATHFINDER 1W IP54 SOLAR S B
Product Code	: LHEOAVP6TZ5K001
Panel Type	: Monocrystalline
Panel Wattage	: 1 W
Product Wattage	: 10 W
Battery Type	: Built -In Lithium-ion rechargeable battery
Charging Time	: 10 hours to 12 hours**
Light Modes	: 4 Light Modes* (subjected to user preference)
PIR	: Yes (Motion Sensor )
Charging Type	: Via Integrated Solar Panel only
Application	: Landscape   Parks   Walkways   Pathways   Garden



System Lumen : 1000 lm



- Mode 1 : Once switched on - Fixture will be lit at 25 % Lumen
- Mode 2 : Fixture will be lit at 10 % Lumen , once PIR sensor (motion detection) is active Fixture will lit at 100 % lumen
- Mode 3 : Fixture will be in Off condition until motion detection , once motion is detected it will lit at 100 % Lumen
- Mode 4 : Fixture will lit at 100 % Lumen

\*\*charging should be under peak sunshine light

(Above lighting modes, lumen is adjusted based on battery capacity)  
\*For More detail refer User Manual

Sunbeam Pathfinder bollard is perfectly fit for lighting of garden paths or the driveway. Full installation freedom , where no cables needed. Turns on automatically when it gets dark in the evening.



# Sunbeam Pathfinder R B



Product Description	: LED Sunbeam Pathfinder 1W IP54 Solar R B
Product Code	: LHEOAUP6TZ5K001
Panel Type	: Monocrystalline
Panel Wattage	: 1 W
Product Wattage	: 1 W
Battery Type	: Built -In Lithium-ion rechargeable battery
Charging Time	: 10 hours to 12 hours**
Light Modes	: 2 Light Modes* (subjected to user preference)
Charging Type	: Via Integrated Solar Panel only
Application	: Landscape   Parks   Walkways   Pathways   Garden

## MODE 1

100 % (2 h)  
+  
80 % (1h)  
+  
60 % (1h)  
+  
40 % (1h)  
+  
20 % TILL DAWN

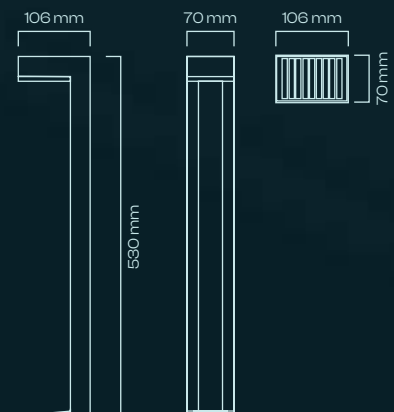


## MODE 2

50 %  
TILL DAWN



System Lumen : 100 lm



Mode 1 : Once switched on - Fixture will be lit and at 100% Lumen for 2 hours, again when switch is pressed it will lit at 80 % lumen for 1 hour, again switch is pressed it will lit 60 % lumen for 1 hour, again switch is pressed it will lit 40 % lumen for 1 hour and then again pressed it will lit at 20 % lumen

Mode 2 : Fixture will be lit at 50 % Lumen

\*\*charging should be under peak sunshine light

(Above lighting modes, lumen is adjusted based on battery capacity)  
\*For More detail refer User Manual

The modern Sunbeam Glow light is a beautiful solar lamp that can be used wirelessly anywhere outdoors. The garden path light gets its energy from the solar panel at the head of the fixture. Thanks to the integrated PIR sensor, light is always available when a person approaches the luminaire.

It also comes with Spike bracket which makes it easy to install on any ground, fence, table, grass or as Gate Light



PIR Sensor\*



IP54

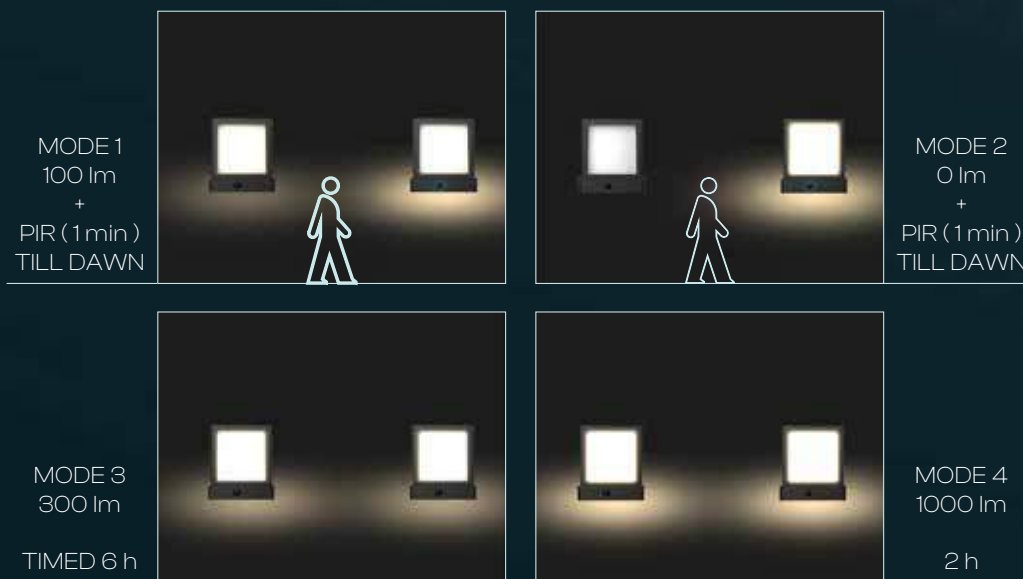


4000 K

# LED Sunbeam Glow Portable Light

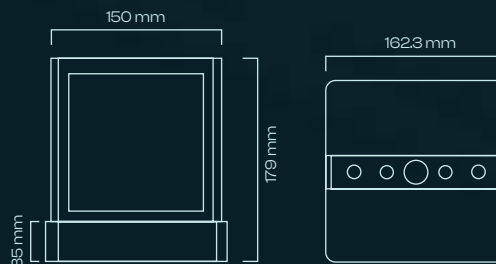


Product Description	: LED SUNBEAM GLOW 1.4W IP54 SOLAR LIGHT
Product Code	: LHEOAWP6TZ5K1X4
Panel Type	: Monocrystalline
Panel Wattage	: 1.4 W
Product Wattage	: 10 W
Battery Type	: Built -In Lithium-ion rechargeable battery
Charging Time	: 8 hours to 10 hours**
Light Modes	: 4 Light Modes* (subjected to user preference)
PIR	: Yes ( Motion Sensor )
Charging Type	: Via Integrated Solar Panel only
Application	: Gate Lights   Garden Lights   Portable Lights



System Lumen : 1000 lm

- Mode 1 : Once switched on - Fixture will be lit at 10 % Lumen, once PIR sensor (motion detection) is active Fixture will lit at 100% lumen
- Mode 2 : Fixture will be in Off condition until motion detection, once motion is detected it will lit to 100 % Lumen
- Mode 3 : Fixture will be lit at 30 % Lumen for 6 hours
- Mode 4 : Fixture will be lit at 100 % Lumen for 2 hours

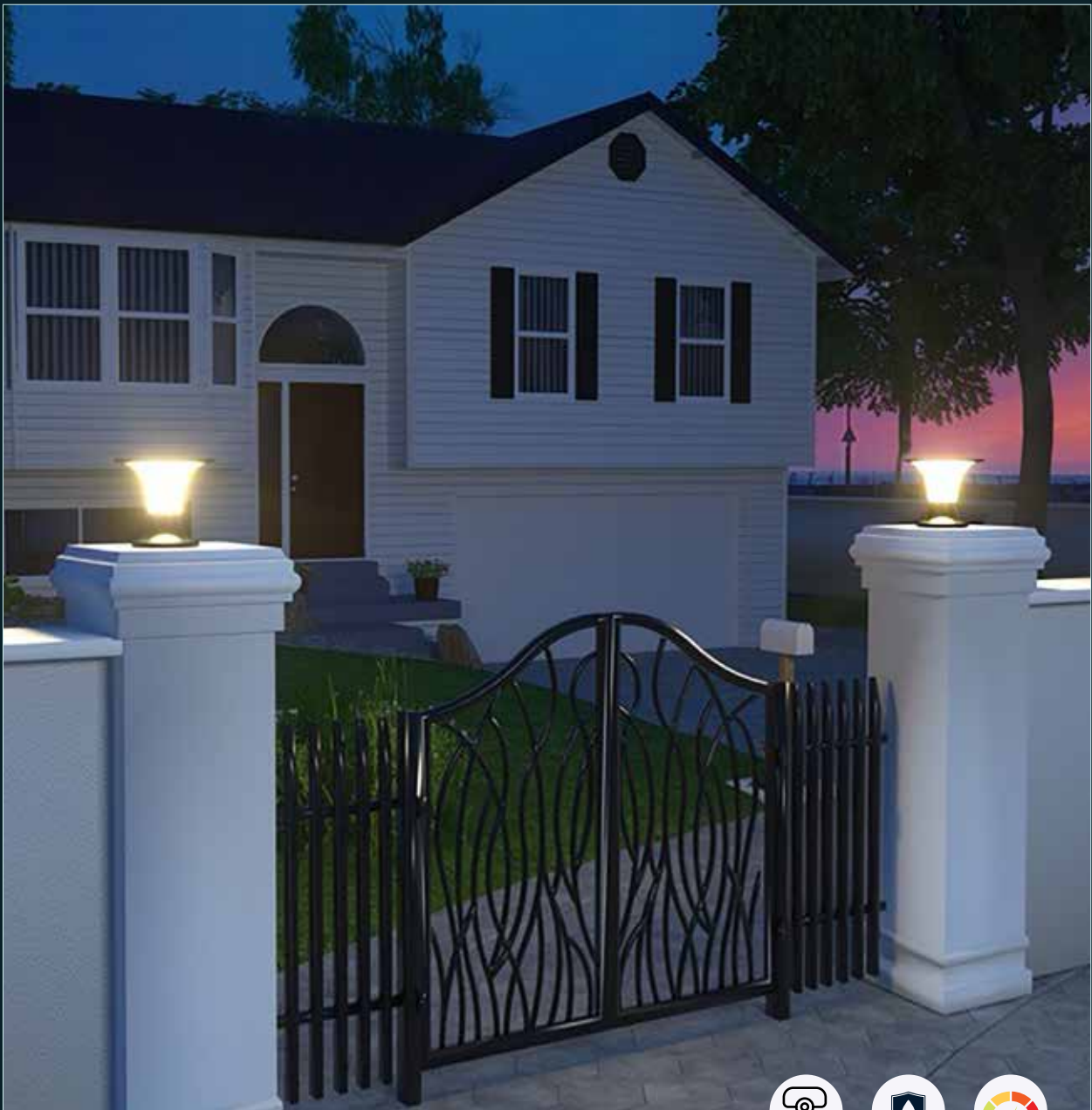


\*\*charging should be under peak sunshine light

(Above lighting modes, lumen is adjusted based on battery capacity)  
\*For More detail refer User Manual

The modern Sunbeam Glow light is a beautiful solar gate light that can be used wirelessly anywhere outdoors - Entrances, Gate, Pillar, etc. The garden path light gets its energy from the solar panel at the head of the fixture.

Thanks to the integrated Radar sensor, light is always available when a person approaches the luminaire.



Radar Sensor



IP65



3000 K  
4000K

# Sunbeam Glow Gate Light



Product Description	: LED SUNBEAM GLOW 5.8W IP65 SOLAR GL
Product Code	: LHEOAWP6UE6K5X8
Panel Type	: Monocrystalline
Panel Wattage	: 5.8 W
Product Wattage	: 15 W
Battery Type	: Built -In Lithium-ion rechargeable battery
Charging Time	: 8 hours to 10 hours**
Light Modes	: 2 Light Modes* (subjected to user preference)
CCT	: 3000 K and 4000 K with a click of button
Sensor	: Yes ( Radar Sensor )
Charging Type	: Via Integrated Solar Panel only
Application	: Gate Lights   Garden Lights   Outdoor Pillars

**MODE 1**

2200 lm (PIR) + 5% (after 20 s)

**MODE 2**

1300 lm for 5 hours

after 5 hours turns to Sensor mode (PIR) + 5% (after 20 s)

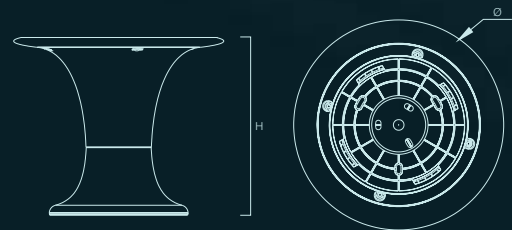
System Lumen : 2200 lm

## Mode 1: Sensor Mode

Lamp automatically lights up at night, turns to full brightness when motion is detected in the range  $\leq 8$  m, then dims to lower brightness after 20 seconds of no motion.

## Mode 1: Keep Lighting Mode

Lamp automatically lights up at night and keeps 60% brightness, after 5 hours it turns again to Sensor Mode.



\*\*charging should be under peak sunshine light

(Above lighting modes, lumen is adjusted based on battery capacity)  
\*For More detail refer User Manual





# Wall Lights

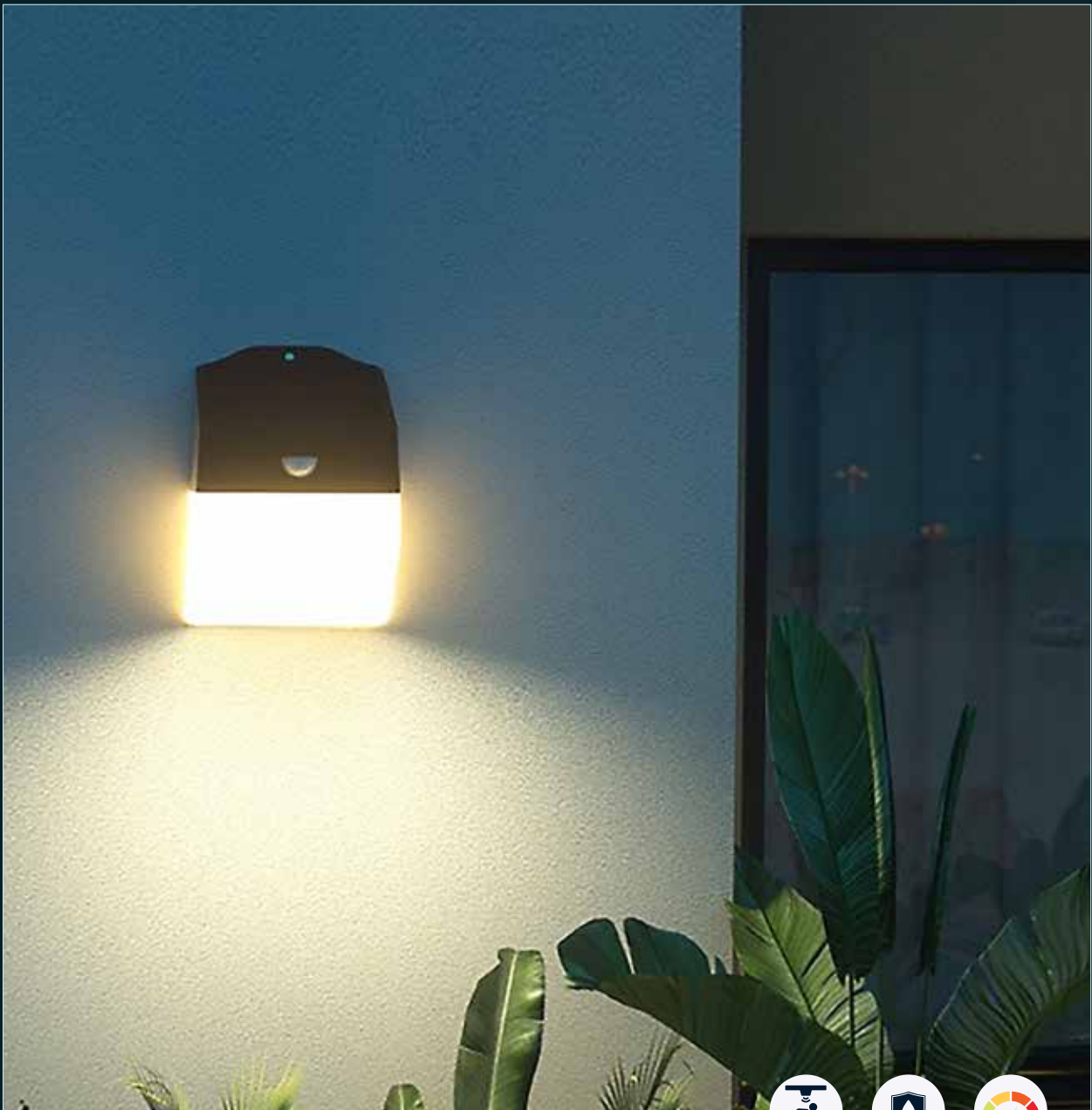
WELCOME A BRIGHTER, GREENER FUTURE WITH SOLAR WALL LIGHTS, WHERE CUTTING-EDGE DESIGN MEETS THE POWER OF RENEWABLE ENERGY. AN INNOVATIVE BLEND OF EFFICIENCY AND USER-FRIENDLY DESIGN, THESE LIGHTS HARNESS THE POWER OF THE SUN FOR YEAR-ROUND, COST-EFFECTIVE ILLUMINATION WITHOUT THE HASSLE OF TRADITIONAL WIRING.

EQUIPPED WITH HIGHLY EFFICIENT SOLAR PANELS. PIR MOTION SENSOR\* TECHNOLOGY WITH A SLEEK, FUNCTIONAL AESTHETIC, THESE LIGHTS SEAMLESSLY INTEGRATE INTO YOUR OUTDOOR SPACES.

\* PIR Motion sensor is available in selected models

Outdoor Solar Flare wall light with solar panel combines a simple functional design with a high user friendliness.

This wall light works without a power connection: you can easily install it in your outdoor or next to your front door. Thanks to the PIR motion sensor, it lights up automatically. An extra feature of this new design.



PIR Sensor\*



IP65



4000 K

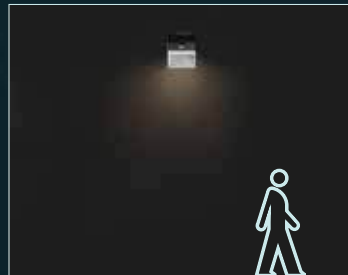
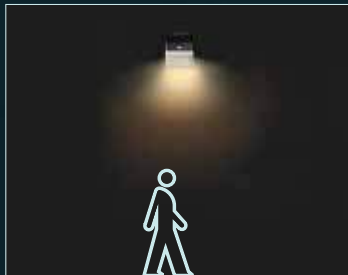
# Solar Flare Wall Light



Product Description	: LED SOLAR FLARE 0.7W IP65 SOLAR WL
Product Code	: LHEOAXP6U46K0X7
Panel Type	: Monocrystalline
Panel Wattage	: 0.7 W
Product Wattage	: 2 W
Battery Type	: Built -In Lithium-ion rechargeable battery
Charging Time	: 8 hours to 10 hours**
Light Modes	: 2 Light Modes* (subjected to user preference)
PIR	: Yes ( Motion Sensor )
Charging Type	: via Integrated Solar Panel only
Application	: Outdoor Wall and Pillars   Gate Entrance   Porch

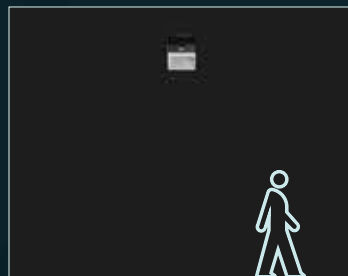
## MODE 1

200 lm  
(PIR)  
+3%  
(after 10 s)



## MODE 2

200 lm  
(PIR)  
+off  
(after 10 s)

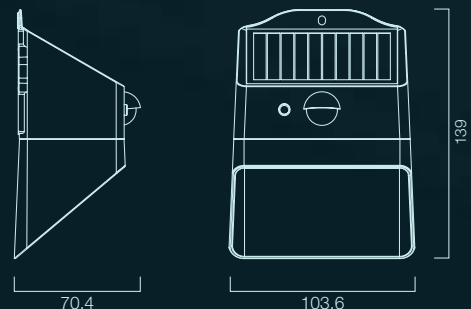


System Lumen : 200 lm

### Lighting mode

**Mode 1:** Lamp automatically lights up at night, turns to full brightness when motion is detected in the range  $\leq 3$  mtrs, then dims to lower brightness after 10 seconds of no motion.

**Mode 2:** Lamp automatically lights up at night, turns to full brightness when motion is detected in the range  $\leq 3$  mtrs, then turns off after 10 seconds of no motion.



\*\*charging should be under peak sunshine light

(Above lighting modes, lumen is adjusted based on battery capacity)  
\*For More detail refer User Manual

Sleek and elegant modern design.

This wall light with solar panel offers creating a beautiful pattern on the wall when needed with lit from the front side (4000K) and also back side (3000K)



PIR Sensor\*



IP65



3000 K / 4000 K

# Solar Zen Wall Light 0.7 W



Product Description	: LED SOLARZEN 0.7W IP65 SOLAR WL
Product Code	: LHEOAWP6U46K0X7
Panel Type	: Monocrystalline
Panel Wattage	: 0.7 W
Product Wattage	: 1.5 W
Battery Type	: Built -In Lithium-ion rechargeable battery
Charging Time	: 8 hours to 10 hours**
Light Modes	: 2 Light Modes* (subjected to user preference)
PIR	: Yes ( Motion Sensor )
Charging Type	: via Integrated Solar Panel only
Application	: Outdoor Wall and Pillars   Gate Entrance   Porch

## MODE 1

220 lm  
(PIR)  
+3%  
(after 10 s)



## MODE 2

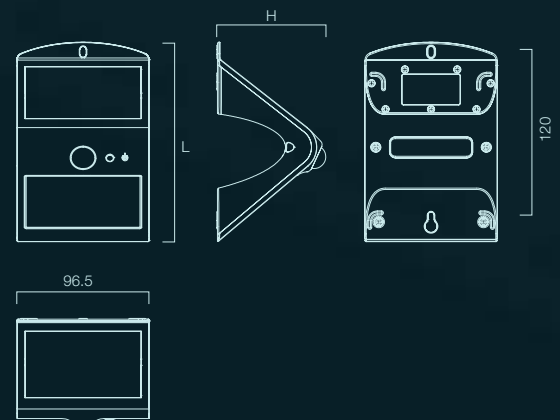
220 lm  
(PIR) + Front.



System Lumen : 220 lm

**Mode 1:** Automatically turns on to full brightness (220 lm) when motion is detected in the range  $\leq 3$  m and then turns to low brightness (front light on & back light on) in 10 seconds of no motion.

**Mode 2:** Lamp automatically lights up at night and turns to full brightness when motion is detected in the range  $\leq 3$  m and then turns off (front light off, back light on) 20 seconds of no motion.



\*\*charging should be under peak sunshine light

(Above lighting modes, lumen is adjusted based on battery capacity)  
\*For More detail refer User Manual

Sleek and elegant modern design.

This wall light with solar panel offers creating a beautiful pattern on the wall when needed with lit from the front side (4000K) and also back side (3000K)



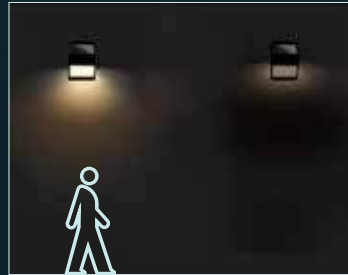
# Solar Zen Wall Light 4.5 W



Product Description	: LED SOLARZEN 4.5W IP65 SOLAR WL
Product Code	: LHEOAWP6U46K4X5
Panel Type	: Monocrystalline
Panel Wattage	: 4.5 W
Product Wattage	: 8 W
Battery Type	: Built -In Lithium-ion rechargeable battery
Charging Time	: 8 hours to 10 hours**
Light Modes	: 2 Light Modes* (subjected to user preference)
PIR	: Yes ( Motion Sensor )
Charging Type	: via Integrated Solar Panel only
Application	: Outdoor Wall and Pillars   Gate Entrance   Porch

## MODE 1

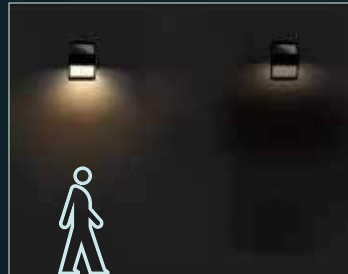
when battery  
>30%, 850 lm  
and 5% bright  
(after 20 sec)



when battery  
<30%, 420 lm  
and off  
(after 20 sec)

## MODE 2

420 lm  
till 5 hours

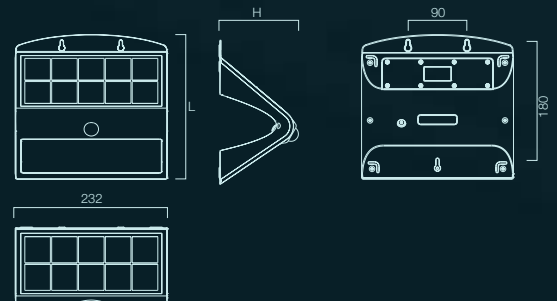


after 5 hours or  
when battery  
<30%, 420 lm  
and front light off  
(after 20 sec)

System Lumen : 850 lm

### Lighting mode

- Mode 1** : a) 850 lm (PIR) + 5% (after 20 s)  
b) When Battery is <30% -850 lm (PIR) + front light off & back light on (after 20 s)
- Mode 2** : a) 420 lm for 5 hours  
b) After 5 hours or when Battery is <30% -420 lm (PIR) + front light off & back light on (after 20 s)



\*\*charging should be under peak sunshine light

(Above lighting modes, lumen is adjusted based on battery capacity)  
\*For More detail refer User Manual

Solar Nova Wall Light is a highly efficient light source. It provides light 365 days a year because it is equipped with a highly efficient solar panel. This allows a completely powerless installation.

The integrated sensor ensures that the light is automatically switched on when the PIR sensor detects an approaching person. It is frosted Anti-Glare with uniform light distribution



# Solar Nova Wall Light



Product Description	: LED SOLAR NOVA 1.5W IP54 SOLAR WALLLIGHT
Product Code	: LHEOAWP6UZ5K1X5
Panel Type	: Monocrystalline
Panel Wattage	: 1.5 W
Product Wattage	: 10 W
Battery Type	: Built -In Lithium-ion rechargeable battery
Charging Time	: 8 hours to 10 hours**
Light Modes	: 3 Light Modes* (subjected to user preference)
PIR	: Yes ( Motion Sensor )
Charging Type	: Via Integrated Solar Panel only
Application	: Outdoor Wall and Pillars   Gate Entrance   Porch

MODE 1  
100 lm  
+ PIR ( 10 s )  
TILL DAWN

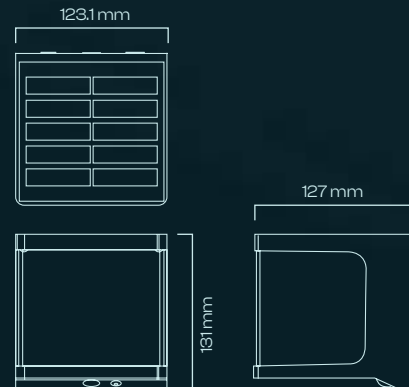
MODE 2  
0 lm  
+ PIR ( 10 s )  
TILL DAWN

MODE 3  
300 lm  
TImed 6 h

above lighting modes,  
lumen is adjusted according  
to battery capacity

System Lumen : 1000 lm

- Mode 1** : Once switched on - Fixture will be lit at 10 % Lumen , once PIR sensor is active (motion detection) Light will be lit at 100 % Lumen
- Mode 2** : Fixture will be in Off condition until motion detection , once motion is detected it will lit at 100 % Lumen
- Mode 3** : Fixture will be lit at 30 % Lumen for continuous 6 hours



\*\*charging should be under peak sunshine light

(Above lighting modes, lumen is adjusted based on battery capacity)  
\*For More detail refer User Manual

This outdoor Solar Glow with solar panels combines a simple functional design with a high user friendliness.

This wall light works without a power connection: you can easily install it in your outdoor or next to your front door. Thanks to the PIR motion sensor, it lights up automatically. An extra feature of this new design. The sphere glows evenly and the light is more uniform and soft.



PIR Sensor\*

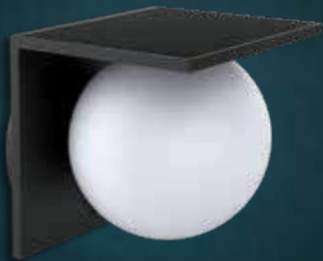


IP54

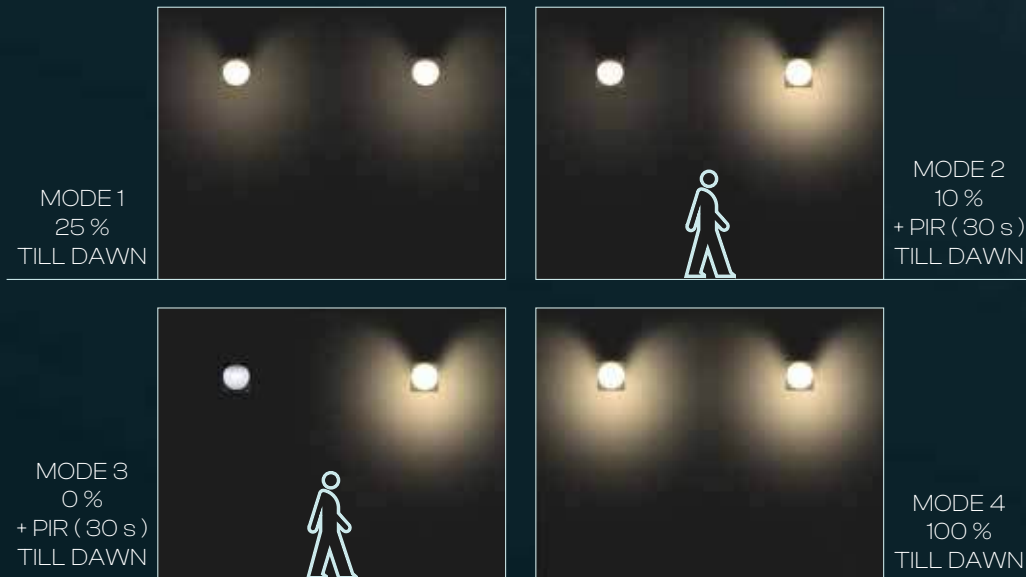


4000 K

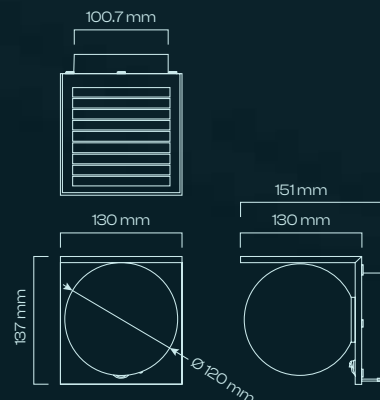
# Solar Glow Wall Light



Product Description	: LED SOLAR GLOW 1.5W IP54 SOLAR WALLLIGHT
Product Code	: LHEOAWP6TZ5K1X5
Panel Type	: Monocrystalline
Panel Wattage	: 1.5 W
Product Wattage	: 10 W
Battery Type	: Built-In Lithium-ion rechargeable battery
Charging Time	: 8 hours to 10 hours**
Light Modes	: 4 Light Modes* (subjected to user preference)
PIR	: Yes (Motion Sensor)
Charging Type	: Via Integrated Solar Panel only
Application	: Outdoor Wall and Pillars   Gate Entrance   Porch



System Lumen : 1000 lm



- Mode 1** : Once switched on - Fixture will be lit and emit 25 % Lumen
- Mode 2** : Fixture will be lit at 10 % Lumen, once PIR sensor (motion detection) is active Light will be lit at 100 % lumen
- Mode 3** : Fixture will be in Off condition until motion detection , once motion is detected it will lit at 100 % Lumen
- Mode 4** : Fixture will lit at 100 % Lumen

\*\*charging should be under peak sunshine light

(Above lighting modes, lumen is adjusted based on battery capacity)  
\*For More detail refer User Manual

Elegant LED solar outdoor Star Light - with Round lamp Head creating a Ring type design. Your front door area or garden wall will light up completely thanks to the beautiful light beam.

Solar panel and lamp head angle can be adjustable vertically and horizontally as per user preference.



PIR Sensor\*



IP54



4000 K

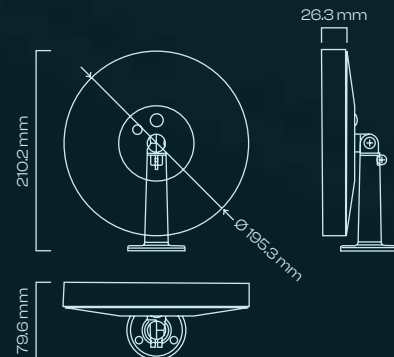
# Star Light Wall Light



Product Description	: LED STARLIGHT 1.5W IP54 SOLAR WALL LIGHT
Product Code	: LHEOAXP6TZ5K1X5
Panel Type	: Monocrystalline
Panel Wattage	: 1.5 W
Product Wattage	: 10 W
Battery Type	: Built-In Lithium-ion rechargeable battery
Charging Time	: 8 hours to 10 hours**
Light Modes	: 4 Light Modes* (subjected to user preference)
PIR	: Yes ( Motion Sensor )
Charging Type	: Via Integrated Solar Panel only
Application	: Outdoor Wall and Pillars   Gate Entrance   Porch



- Mode 1** : Once switched on - Fixture will be lit at 25 % Lumen
- Mode 2** : Fixture will be lit at 10 % Lumen , once PIR sensor (motion detection) is active Light will lit at 100 % Lumen
- Mode 3** : Fixture will be in Off condition until motion detection , once motion is detected it will lit at 100 % Lumen
- Mode 4** : Fixture will lit at 100 % Lumen



\*\*charging should be under peak sunshine light

(Above lighting modes, lumen is adjusted based on battery capacity)  
\*For More detail refer User Manual





# Wall Washers

A COMBINATION OF SLEEK AND MODERN DESIGN WITH CUTTING-EDGE TECHNOLOGY, SOLAR WALL WASHERS OFFER UNIFORM LIGHT DISTRIBUTION, WHILE ALSO CREATING MESMERIZING PATTERNS ACROSS YOUR WALLS. NOT ONLY DOES INSTALLING THESE LIGHTS ENSURE THAT YOUR SPACES ARE BEAUTIFULLY ILLUMINATED, BUT IT ALSO ENHANCES SECURITY AFTER DARK VIA PIR MOTION SENSOR\* AND PROVIDES A WELL-LIT PATH AHEAD.

ILLUMINATE YOUR SURROUNDINGS WITH STYLE AND EFFICIENCY WITH SOLAR WALL WASHERS.

\* PIR Motion sensor is available in selected model

Radiant Rays wall washer with Monocrystalline solar panel offers uniform Light Distribution with downward Lighting creating a beautiful pattern on the wall when needed



PIR Sensor\*



IP65



4000 K

# Radiant Rays Wall Washer

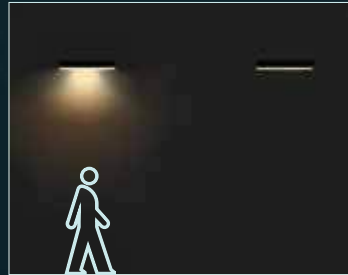
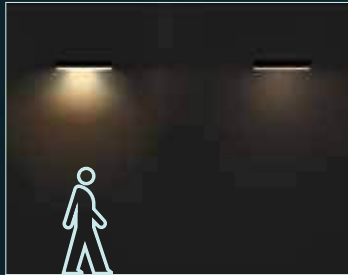
( Black )



Product Description	: LED RADIANT RAYS BLK 2.8WIP65 SOLAR WWSR
Product Code	: LHEOAYP6U46K2X8
Panel Type	: Monocrystalline
Panel Wattage	: 2.8 W
Product Wattage	: 6 W
Battery Type	: Built -In Lithium-ion rechargeable battery
Charging Time	: 8 hours to 10 hours**
Light Modes	: 2 Light Modes* (subjected to user preference)
PIR	: Yes (Motion Sensor)
Charging Type	: via Integrated Solar Panel only
Application	: Outdoor Wall and Pillars   Gate Entrance   Porch

## MODE 1

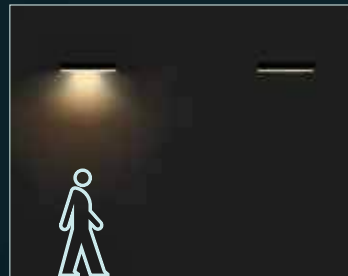
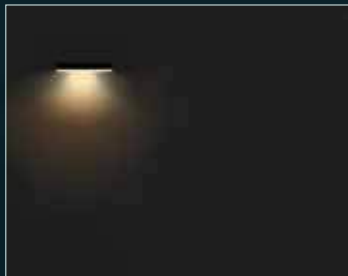
when battery  
>30%, 800 lm  
and 5% bright  
(after 20 sec)



when battery  
<30%, 800 lm  
and off  
(after 20 sec)

## MODE 2

540 lm  
till 5 hours



after 5 hours or  
when battery  
<30%, 540 lm (PIR)  
and off  
(after 20 sec)

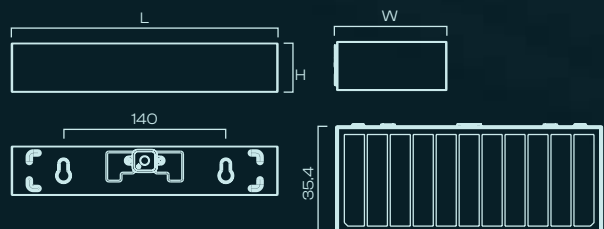
System Lumen : 800 lm

**Mode 1** : a) When Battery is >30%, 800 lm (PIR) + 5%  
(after 20 s) or

b) When Battery is <30%, 800 lm (PIR) + off  
(after 20 s)

**Mode 2** : a) 540 lm till 5 hours

b) After 5 hours or when battery is <30%,  
540 lm (PIR) + off (after 20 s)



\*\*charging should be under peak sunshine light

(Above lighting modes, lumen is adjusted based on battery capacity)

\*For More detail refer User Manual

Radiant Rays wall washer with Monocrystalline solar panel offers uniform Light Distribution with downward Lighting creating a beautiful pattern on the wall when needed



PIR Sensor\*



IP65



4000 K

# Radiant Rays Wall Washer

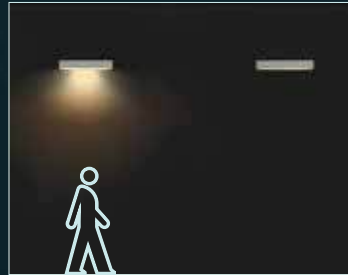
(White)



Product Description	: LED RADIANT RAYS WHT 2.8WIP65 SOLAR WWSR
Product Code	: LHEOAYP6U46W2X8
Panel Type	: Monocrystalline
Panel Wattage	: 2.8 W
Product Wattage	: 6 W
Battery Type	: Built -In Lithium-ion rechargeable battery
Charging Time	: 8 hours to 10 hours**
Light Modes	: 2 Light Modes* (subjected to user preference)
PIR	: Yes (Motion Sensor)
Charging Type	: via Integrated Solar Panel only
Application	: Outdoor Wall and Pillars   Gate Entrance   Porch

## MODE 1

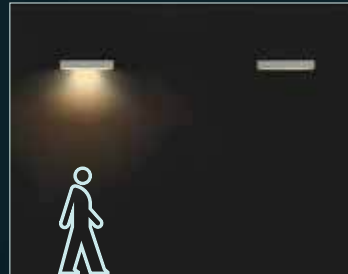
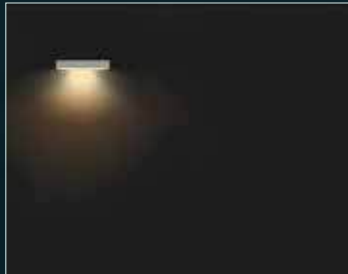
when battery  
>30%, 800 lm  
and 5% bright  
(after 20 sec)



when battery  
<30%, 800 lm  
and off  
(after 20 sec)

## MODE 2

540 lm  
till 5 hours



after 5 hours or  
when battery  
<30%, 540 lm (PIR)  
and off  
(after 20 sec)

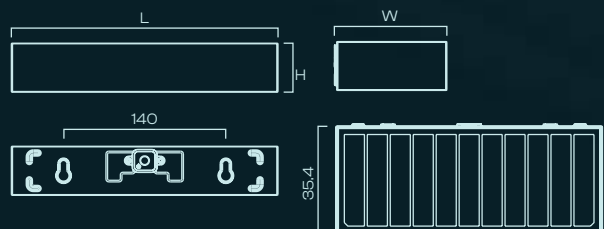
System Lumen : 800 lm

**Mode 1** : a) When Battery is >30%, 800 lm (PIR) + 5% (after 20 s) or

b) When Battery is <30%, 800 lm (PIR) + off (after 20 s)

**Mode 2** : a) 540 lm till 5 hours

b) After 5 hours or when battery is <30%, 540 lm (PIR) + off (after 20 s)



\*\*charging should be under peak sunshine light

(Above lighting modes, lumen is adjusted based on battery capacity)

\*For More detail refer User Manual

Sleek and elegant modern design.

This wall washer with solar panel offers uniform Light Distribution with Up & Down Lighting creating a beautiful pattern on the wall when needed.

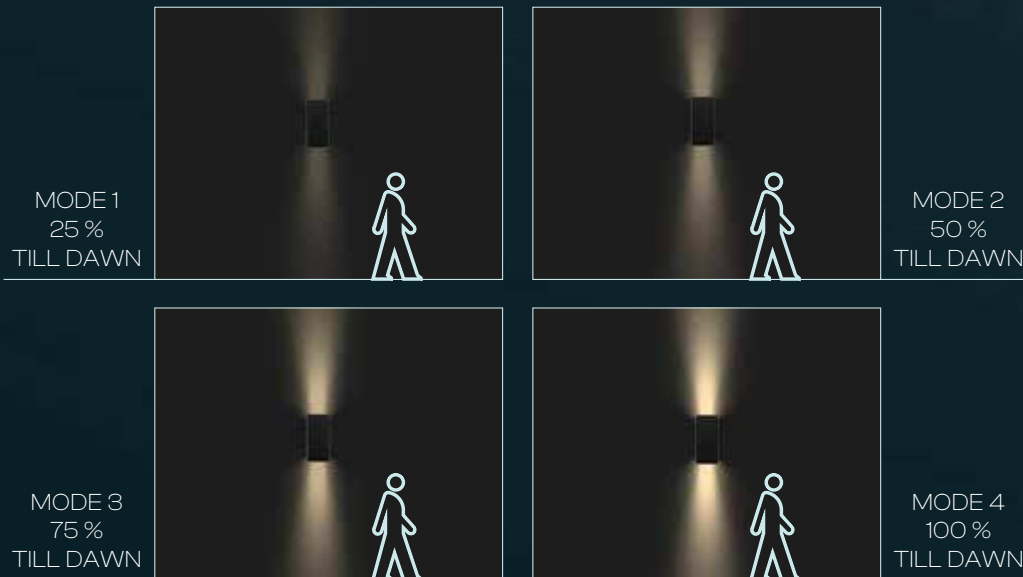


# Radiant Rays Wall Washer

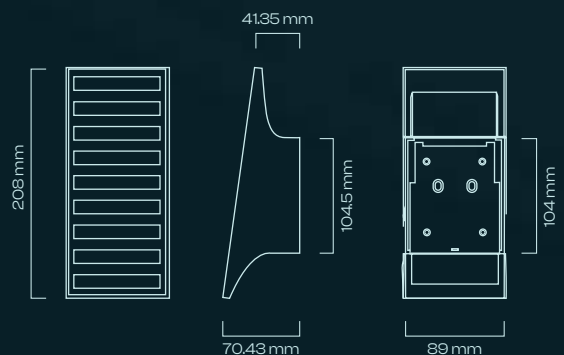
(Up & Down)



Product Description	: LED RADIANT RAYS 1.5W IP54 SOLAR WALLWSR
Product Code	: LHEOAXP6TZ5K1X5
Panel Type	: Monocrystalline
Panel Wattage	: 1.5 W
Product Wattage	: 7 W
Battery Type	: Built -In Lithium-ion rechargeable battery
Charging Time	: 8 hours to 10 hours**
Light Modes	: 4 Light Modes* (subjected to user preference)
Charging Type	: Via Integrated Solar Panel only
Application	: Outdoor Wall and Pillars   Gate Entrance   Porch



System Lumen : 700 lm



- Mode 1** : Once switched on - Fixture will be lit at 25 % Lumen
- Mode 2** : Fixture will be lit at 50 % Lumen
- Mode 3** : Fixture will be lit at 75 % Lumen
- Mode 4** : Fixture will lit at 100 % Lumen

\*\*charging should be under peak sunshine light

(Above lighting modes, lumen is adjusted based on battery capacity)  
\*For More detail refer User Manual

Sleek and modern design. This wall washer with solar panel offers wider Light Distribution. In combination with the subtle and centrally positioned PIR sensor, it will detect any movement throughout the night and will illuminate any foreseen or unforeseen guest.



PIR Sensor\*



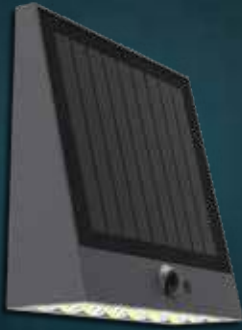
IP54



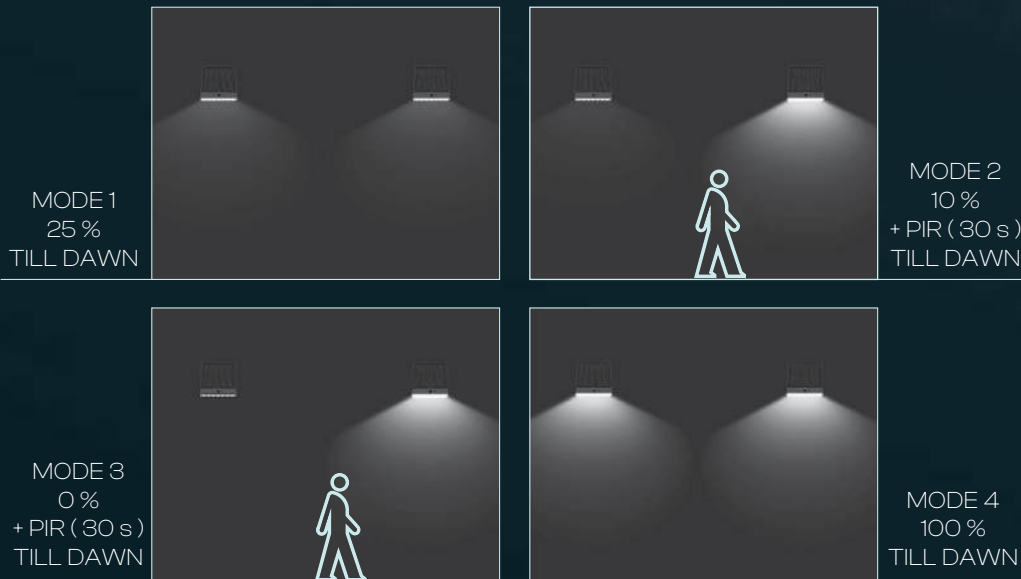
4000 K

# Radiant Rays Wall Washer

(Down)

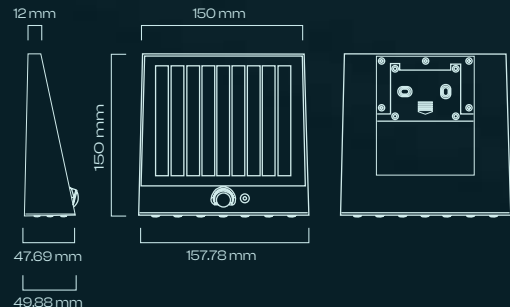


Product Description	: LED RADIANT RAYS 2W IP54 SOLAR WALLWSR
Product Code	: LHEOAYP6TZ5K002
Panel Type	: Monocrystalline
Panel Wattage	: 2 W
Product Wattage	: 10 W
Battery Type	: Built -In Lithium-ion rechargeable battery
Charging Time	: 8 hours to 10 hours**
Light Modes	: 4 Light Modes* (subjected to user preference)
PIR	: Yes (Motion Sensor)
Charging Type	: Via Integrated Solar Panel only
Application	: Outdoor Wall and Pillars   Gate Entrance   Porch



System Lumen : 1000 lm

- Mode 1** : Once switched on - Fixture will be lit at 25 % Lumen
- Mode 2** : Fixture will be lit and emit 10 % Lumen, once PIR sensor (motion detection) is active Light will lit at 100 % lumen
- Mode 3** : Fixture will be in Off condition until motion detection, once motion is detected it will lit at 100 % Lumen
- Mode 4** : Fixture will lit at 100 % Lumen



\*\*charging should be under peak sunshine light

(Above lighting modes, lumen is adjusted based on battery capacity)  
\*For More detail refer User Manual

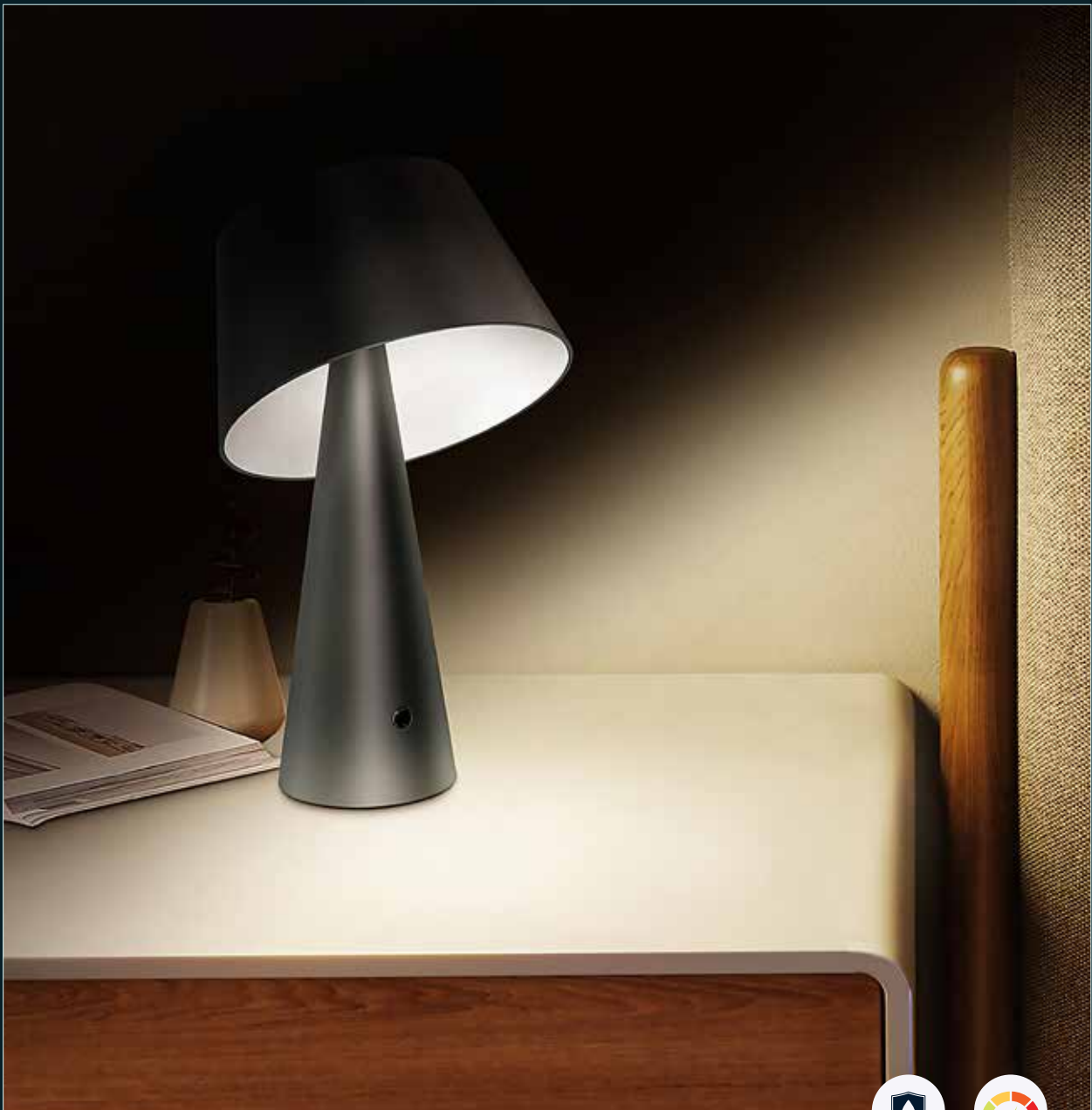




# Table Lamps

ILLUMINATE YOUR WORLD WITH PORTABLE SOLAR TABLE LAMPS. THESE VERSATILE LIGHTS SEAMLESSLY TRANSITION BETWEEN YOUR INDOOR AND OUTDOOR SPACES. WITH ADJUSTABLE BRIGHTNESS AND EASY CHARGING OPTIONS (USING A STANDARD TYPE-C CABLE) YOU CAN EFFORTLESSLY CARRY THESE LIGHTS AND PLAN OUT YOUR NEXT ADVENTURE—BE IT A PICNIC UNDER THE STARS OR SOMETHING AS SIMPLE AS CREATING A COZY AMBIANCE IN YOUR LIVING ROOM. EMBRACE THE FREEDOM OF HAVELLS SOLAR TABLE LAMPS AS THEY BRING BOTH INNOVATION AND CONVENIENCE TO YOUR ON-THE-GO LIFESTYLE.

Optisaver is a modern, design portable table lamp which is suitable both indoors and outdoors. It can be positioned, moved as desired and the brightness can be adjusted. The battery is easy to charge via Type C charging port and through solar Panel. It invites you to lift it up and take it wherever you want. Take it on a picnic or create cozy lighting in your living room.



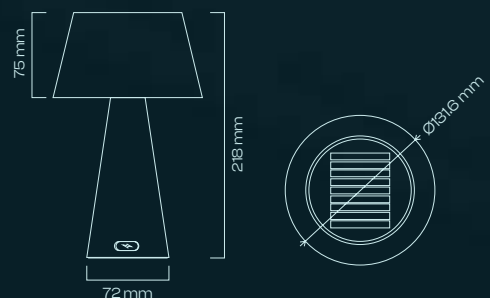
# OptiSaver Table Lamp Black



Product Description	: LED OPTISAVER 0.5W IP44 SOLAR TABLE LAMP
Product Code	: LHEOAZP6TZ4K0X5
Panel Type	: Monocrystalline
Panel Wattage	: 0.5 W
Product Wattage	: 5 W
Battery Type	: Built -In Lithium-ion rechargeable battery
Charging Time	: 15 hours to 20 hours**
Light Modes	: 4 Light Modes* (subjected to user preference)
Charging Type	: via Integrated Solar Panel and via USB Cable C - type
Application	: Outdoor and Indoor spaces



System Lumen : 500 lm

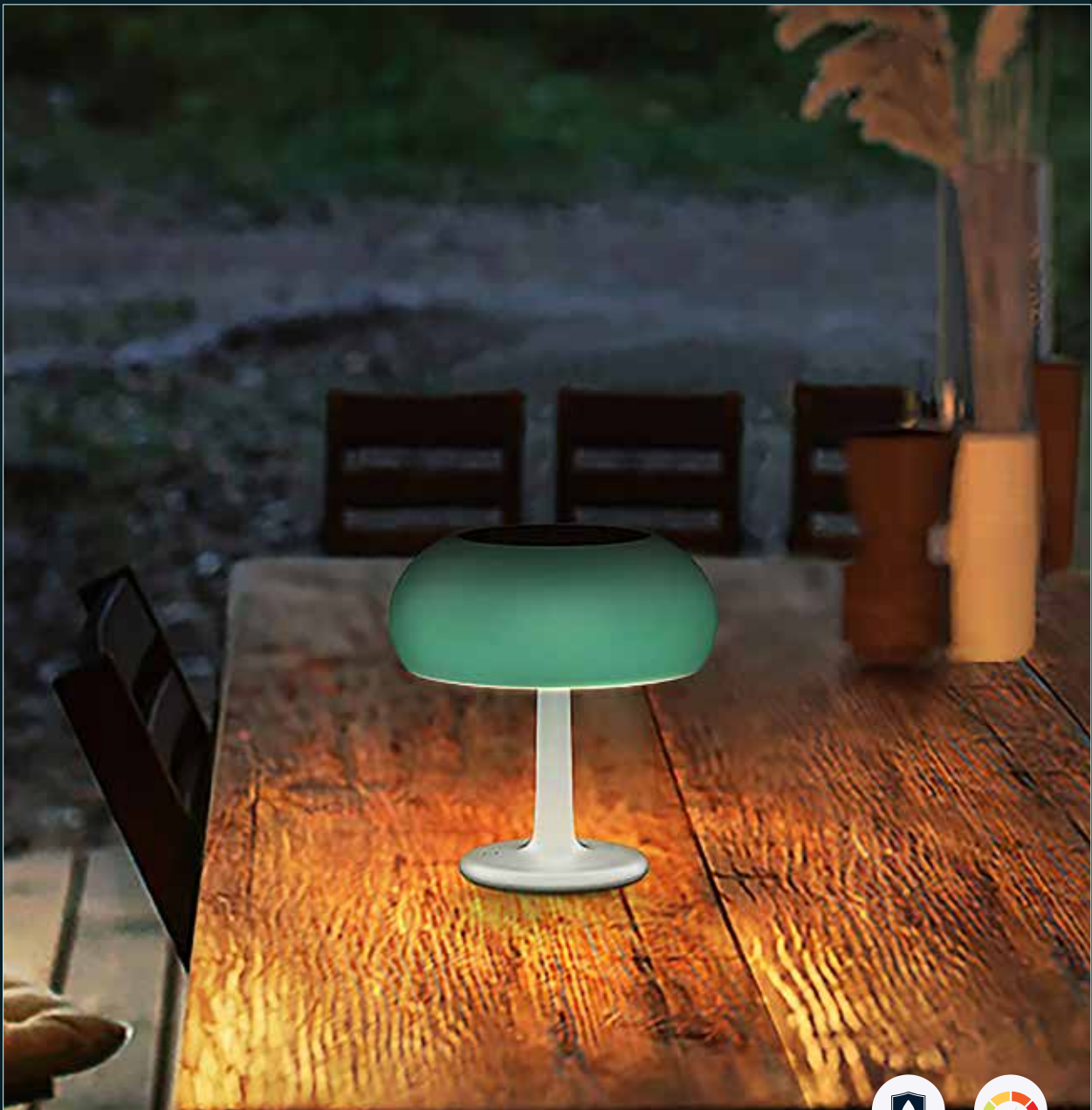


- Mode 1 : Once switched on - Fixture will be lit at 25 % Lumen
- Mode 2 : Fixture will be lit at 50 % Lumen
- Mode 3 : Fixture will be lit at 75 % Lumen
- Mode 4 : Fixture will be lit at 100 % Lumen

\*\*charging should be under peak sunshine light

(Above lighting modes, lumen is adjusted based on battery capacity)  
\*For More detail refer User Manual

Optisaver is a modern design portable table lamp which is suitable both indoors and outdoors. It can be positioned, moved as desired and the brightness can be adjusted. The battery is easy to charge via Type C charging port and through solar Panel. It invites you to lift it up and take it wherever you want. Take it on a picnic or create cozy lighting in your living room.



# OptiSaver Table Lamp Cyan

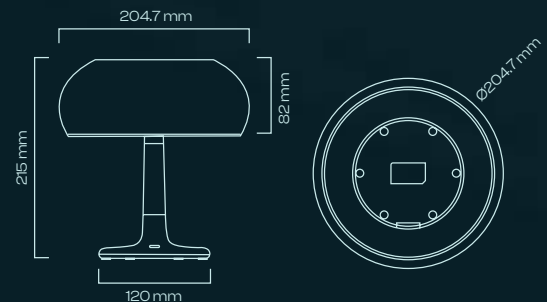


Product Description	: LED OPTISAVER 1W IP44 SOLAR TABLE LAMP
Product Code	: LHEOAZP6TZ4K001
Panel Type	: Monocrystalline
Panel Wattage	: 1 W
Product Wattage	: 5 W
Battery Type	: Built -In Lithium-ion rechargeable battery
Charging Time	: 12 hours to 15 hours**
Light Modes	: 4 Light Modes* (subjected to user preference)
Charging Type	: via Integrated Solar Panel and via USB Cable C - type
Application	: Indoor and Outdoor spaces



System Lumen : 500 lm

- Mode 1 : Once switched on - Fixture will be lit at 25 % Lumen
- Mode 2 : Fixture will be lit at 50 % Lumen
- Mode 3 : Fixture will be lit at 75 % Lumen
- Mode 4 : Fixture will be lit at 100 % Lumen



\*\*charging should be under peak sunshine light

(Above lighting modes, lumen is adjusted based on battery capacity)  
\*For More detail refer User Manual



Bollard



Wall Light



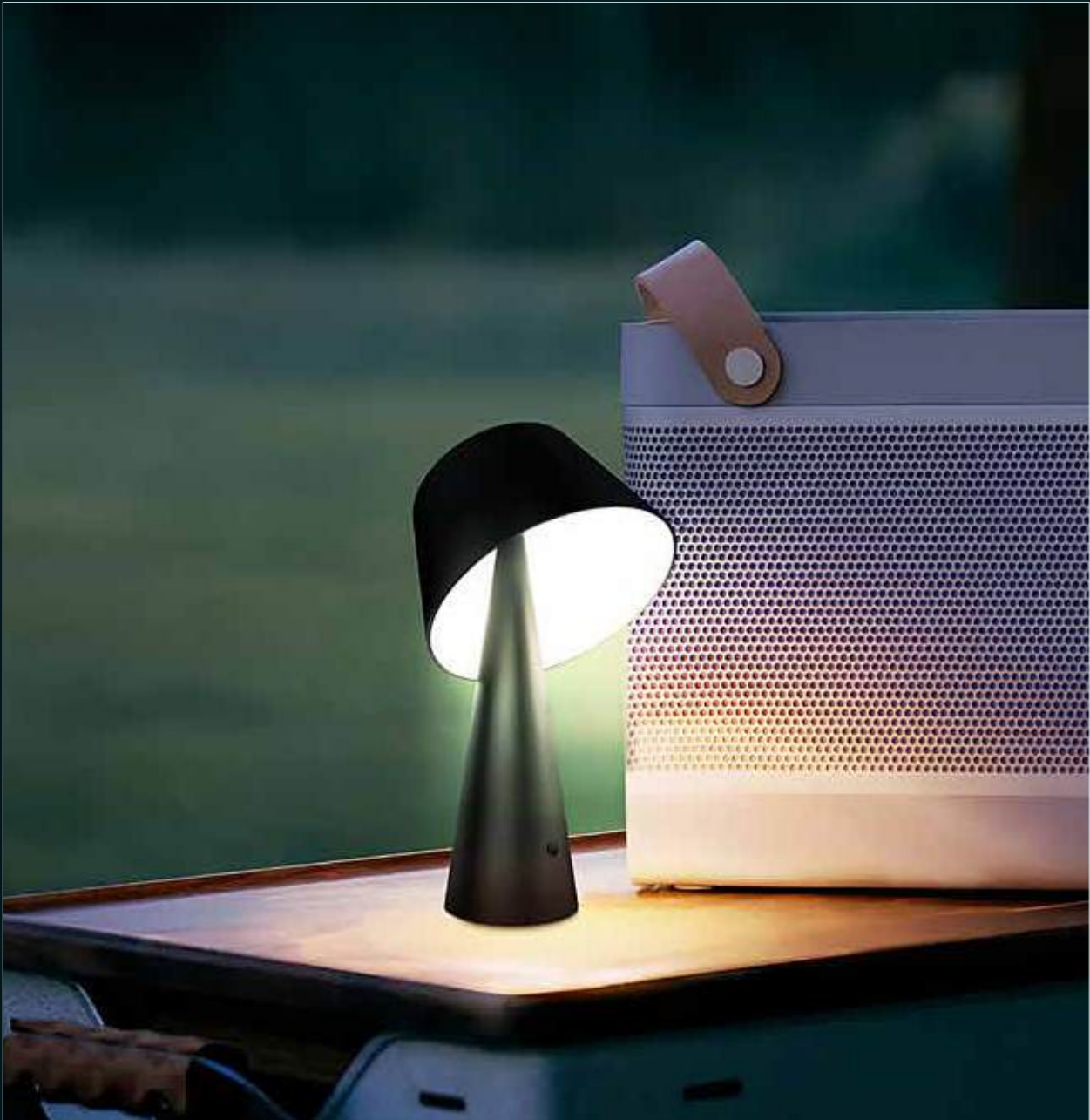
Wall Washer



Table Lamp



Gate Light



# Price List

Product description	Ordering code	MRP Rs. ₹ Per Unit (Incl. of all taxes)	Master Packing (No. of unit/s)
LED SUNBEAM GLOW 1.4W IP54 SOLAR LIGHT	LHEOAWP6TZ5K1X4	₹ 10250.00	4 N
LED SUNBEAM PATHFINDER 1W IP54 SOLAR S B	LHEOAVP6TZ5K001	₹ 12290.00	2 N
LED SUNBEAM PATHFINDER 1W IP54 SOLAR R B	LHEOAVP6TZ5K001	₹ 7850.00	2 N
LED SOLAR NOVA 1.5W IP54 SOLAR WALL LIGHT	LHEOAWP6UZ5K1X5	₹ 8320.00	4 N
LED SOLAR GLOW 1.5W IP54 SOLAR WALL LIGHT	LHEOAWP6TZ5K1X5	₹ 6410.00	4 N
LED STARLIGHT 1.5W IP54 SOLAR WALL LIGHT	LHEOAXP6TZ5K1X5	₹ 6750.00	4 N
LED RADIANT RAYS 2W IP54 SOLAR WALL WSR	LHEOAYP6TZ5K002	₹ 6190.00	4 N
LED RADIANT RAYS 1.5W IP54 SOLAR WALL WSR	LHEOAYP6TZ5K1X5	₹ 6090.00	4 N
LED OPTISAVER 0.5W IP44 SOLAR TABLE LAMP	LHEOAZP6TZ4K0X5	₹ 5320.00	6 N
LED OPTISAVER 1W IP44 SOLAR TABLE LAMP	LHEOAZP6TZ4K001	₹ 7190.00	4 N
LED SOLARZEN 0.7W IP65 SOLAR WL	LHEOAWP6U46K0X7	₹ 2460.00	6 N
LED SOLARZEN 4.5W IP65 SOLAR WL	LHEOAWP6U46K4X5	₹ 8240.00	4 N
LED SOLAR FLARE 0.7W IP65 SOLAR WL	LHEOAXP6U46K0X7	₹ 2340.00	6 N
LED RADIANT RAYS WHT 2.8W IP65 SOLAR WWSR	LHEOAYP6U46W2X8	₹ 5320.00	4 N
LED RADIANT RAYS BLK 2.8W IP65 SOLAR WWSR	LHEOAYP6U46K2X8	₹ 5320.00	4 N
LED SUNBEAM GLOW 5.8W IP65 SOLAR GL	LHEOAWP6UE6K5X8	₹ 12380.00	4 N

MRP Rs. (incl. of all taxes) is for qty 1N

## Frequently Asked Questions

### Q1: What is the warranty for Havells Home Art Light Solar Products ?

The warranty that is offered is for 1 year, please refer the warranty card in the box for T&C details

### Q2: Is there any maintenance guideline to be followed for solar models ?

The Panel on the product should be cleaned as and when rain fall happens or water falls to avoid any water deposition.

### Q3: What if the product is not used for more than 2 months, will it discharge itself completely ?

Sunlit glow series is equipped with Deep Discharge Mode which doesn't allow the battery to completely discharge.

### Q4: How do we identify Monocrystalline Panel & Polycrystalline aesthetically ?

Monocrystalline are aesthetically also more appealing and is in black color whereas Polycrystalline panel is in Blue color

### Q5: Can we charge the solar products via indirect light?

Solar products can only be charged via sunlight under peak sunshine hours except for Table Lamps which can also be charged via USB cable C-Type.



---

**REGIONAL & BRANCH OFFICES:**

**NORTH - REGIONAL OFFICE: Corporate Office:** ORGTowers, 2D, Sector-126, Expressway, Noida-201304, Tel: 0120-3331000, **Delhi:** Tel: 011-47676700, 23888200, **Chandigarh:** Tel: 0172-4232400-401, **Dehradun:** Tel: 0135-6670202, **Haldwani:** Tel: 05946-222935/222933, **Noida / Haryana:** Tel: 0120-3331000, **Ludhiana:** Tel: 0161-4676000 / 24, **Amritsar:** Tel: 0183-5202400/401, **Jammu:** Tel: 0191-2478330, 2479330, **SriNagar:** Tel: 0194-2490431, **Jaipur:** Tel: 0141-3914645, 3988210, **Jodhpur:** Tel: 0291-9214201640/45, **Lucknow:** Tel: 0522-6672100, **Kanpur:** Tel: 0512-6710400, 6710409

**EAST - REGIONAL OFFICE: Kolkata:** ICC Tower, 5th Floor, 4 India Exchange Place, Kolkata-700001, Tel: 033-40129851 / 52, **Bhubaneshwar:** Tel: 0674-6668101/102/103/104, **Guwahati:** Tel: 0361-2134521, 2458923, 2460355, **Siliguri:** Tel: 0353-2525907, **Ranchi:** 0651-2244861, 2244862, 2244864, 2244868, 2244869, **Jamshedpur:** Tel: 0657-6542492, 09234369436, **Patna:** Tel: 0612-2207221, 2207222, 2207223, 2655518

**WEST - REGIONAL OFFICE: Mumbai:** 14th Floor, Unit No. 1405- 1408, Lodha Supremus, I- Think Techno Campus, Kanjurmarg East, Mumbai- 400 042. Ph.: 022 - 67298600-601, **Ahmedabad:** Tel: 079-40061111, 40060738-740, **Indore:** Tel: 0731-2572340-41, 4009998 (Airtel), **Rajkot:** Tel: 0281-2481112, 2921212, **Nagpur:** Tel: 0712-2240932, 2242692, 2242699 **Pune:** Tel: 020-64016413 / 14, **Raipur:** Tel: 0771-4243400 / 01, **Surat:** Tel: 0261-2350137, 9979890137, **Jabalpur:** Tel: 0761-4064491, **Bhopal:** 0755-4271544, 0755-4011025

**SOUTH - REGIONAL OFFICE: Chennai:** Khivraj Complex -1, 1st Floor, No.480, Annasalai, Nandanam, Chennai – 600035 Phone: 044: 42280600, **Bangalore:** Tel: 080-49075000, **Coimbatore:** Phone: 0422- 4550200 / 287, **Hyderabad:** Tel: 040-27533372, 27533355, 27533632, 66320407/0408/6401/6402, **Kochi:** Tel: 0484-4099000, **Vizag:** Tel: 0891-6514339, **Vijayawada:** Tel: +91-9247058847/57, **Calicut:** 0495-4019194, **Trivandrum:** 0471-4015323, **Hubli:** 09448146028

**Representative Offices:** • Goa • Solapur • Gwalior • Kathmandu • Kolhapur • Vadodara

---

"Actual products may vary in colour, design, description and colour combination etc. Although every effort has been made to ensure accuracy in the compilation of the technical detail within this publication. Specifications & performance data are constantly changing."



# HAVELLS

## Havells India Ltd.

QRG Towers, 2D, Sector -126, Expressway, Noida - 201 304 (UP), Ph. +91-120-3331000,  
E-mail: [marketing@havells.com](mailto:marketing@havells.com), [www.havells.com](http://www.havells.com) | Customer Care No. 08045 77 1313  
Join us on Facebook at [www.facebook.com/havells](http://www.facebook.com/havells) and share your ways to save the planet!

CIN - L31900DL1983PLC016304.

Copyright Subsists. Imitation of trade dress, graphics and color scheme of this document is a punishable offence.

Scan the QR Code  
to download  
Havells mCatalogue

